



普傑國際股份有限公司

PROFESSOR TECHNOLOGY CO., LTD.

PRODUCT SPECIFICATION

產品承認書

Customer: _____

Product Name: **5.1 Channel Surround Headphone.**

Model No: **CP5.1-GAME**

Production Region: **China**

Version: **English**

Customer Approval Stamp.

Date: ___ / ___ / ___.

Contact Info: Jimmy Chan
+886-3-4551081 ext:209
jimmychan@professor.com.tw
jack@professor.com.tw

Model No:
CP5.1-GAME

Date:
30/Nov/2004

Checked by:

Approved by:

PROFESSOR TECHNOLOGY CO., LTD.

5F, No.25-1, JiLin Rd., Chung-Li Industrial Park, Taoyuan 320, Taiwan.

TEL :+886-3-4551081 FAX :+886-3-4553913

Specification 規格

Part	Description	Qty.
1.	Driver Front: 27mm Dynamic Speaker 32 Ohm 150mW Rear: 27mm Dynamic Speaker 32 Ohm 150mW Center: 27mm Dynamic Speaker 32 Ohm 100mW Bass: 30mm Dynamic Speaker 24 Ohm 15mW	2 2 2 2
2.	Processor Input: AC100~240V 50/60Hz ; US type Plug Output: DC+5V 1A	1
3.	Headphone type Closed Air type.	
4.	Cable & Connector Cord Length: 240 cm Connector: RCA plug (right) red color. RCA plug (left) white color. Accessories : Double-side RCA Jack (white) Double-side RCAJack (red)	1 1 1 1
5.	Weight Gross Weight: 700 g (include accessories and package) Net Weight: 465 g (only headphone)	
6.	Package type Blister	
7.	Power Supply Input: AC100~240V 50/60Hz ; US type Plug Output: DC+5V 1A DC plug: OD=5.5mm ID=2.7mm	

Cosmetic List 外觀圖清單



Power Supply

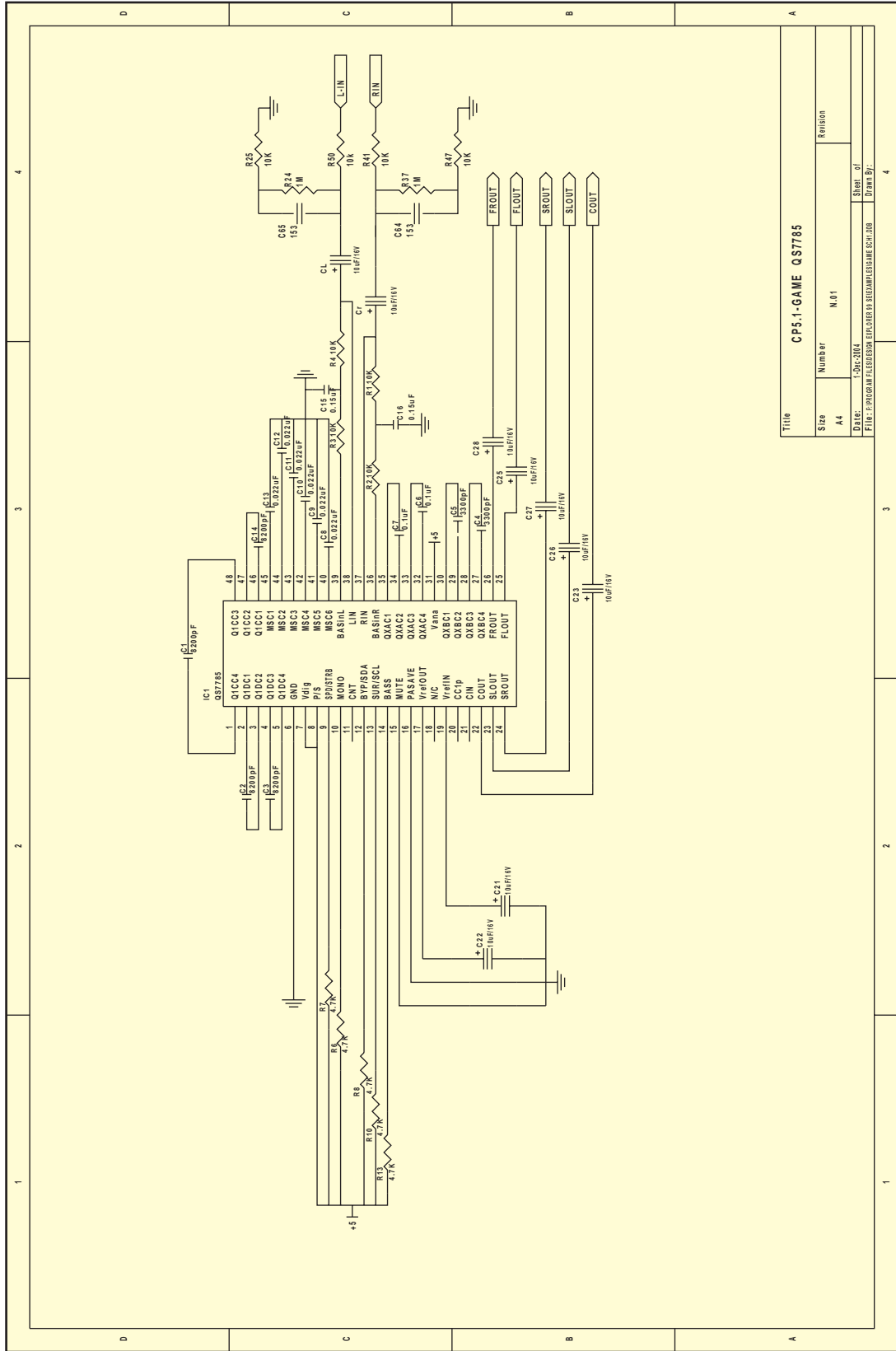


1. Headphone
2. Control Box (Processor) with Volume control.
3. RCA Plug (right)
4. RCA Plug (Left)
5. DC Jack

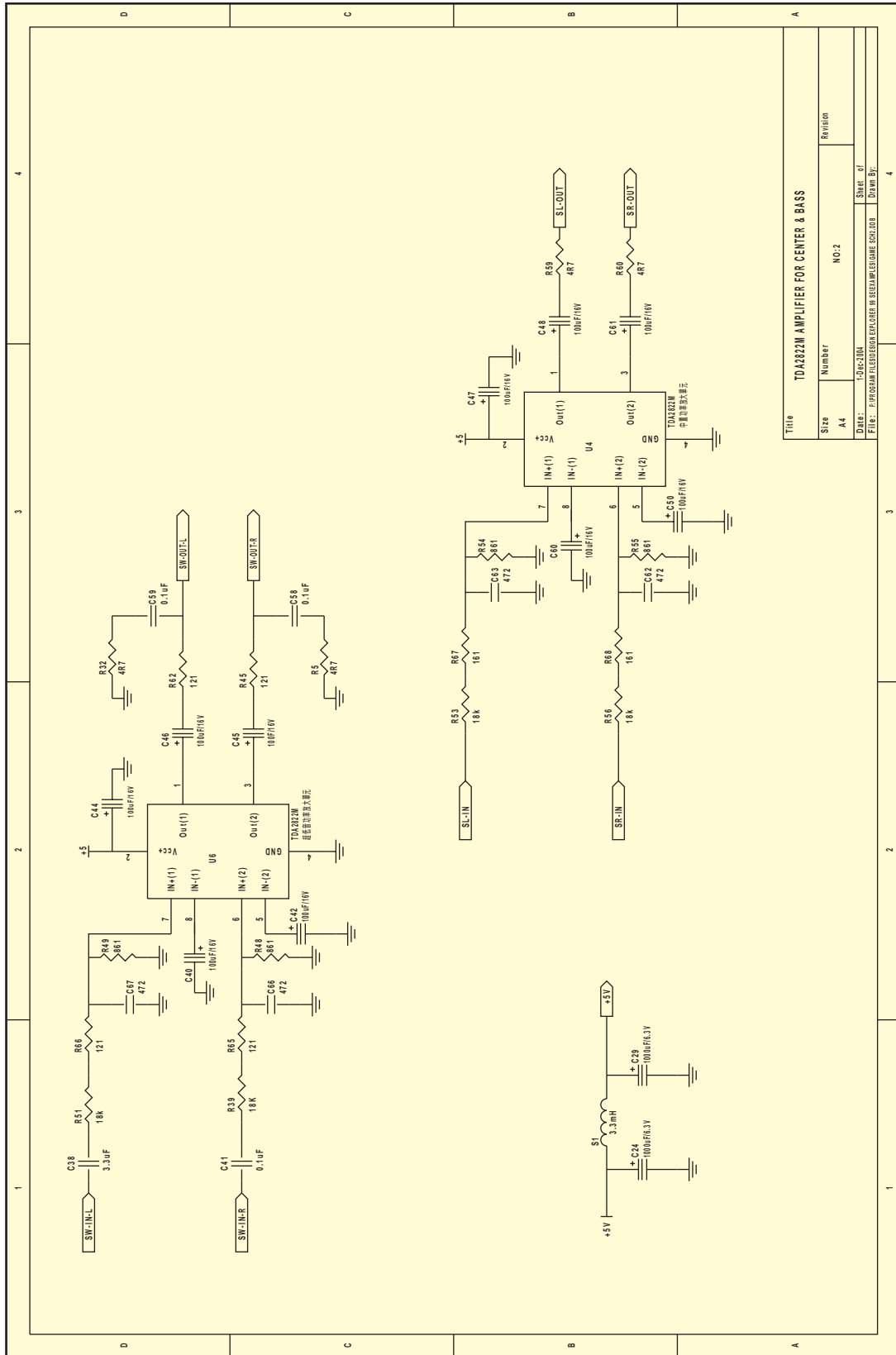


1. Double-side RCA Jack (red)
2. Double-side RCA Jack (white)

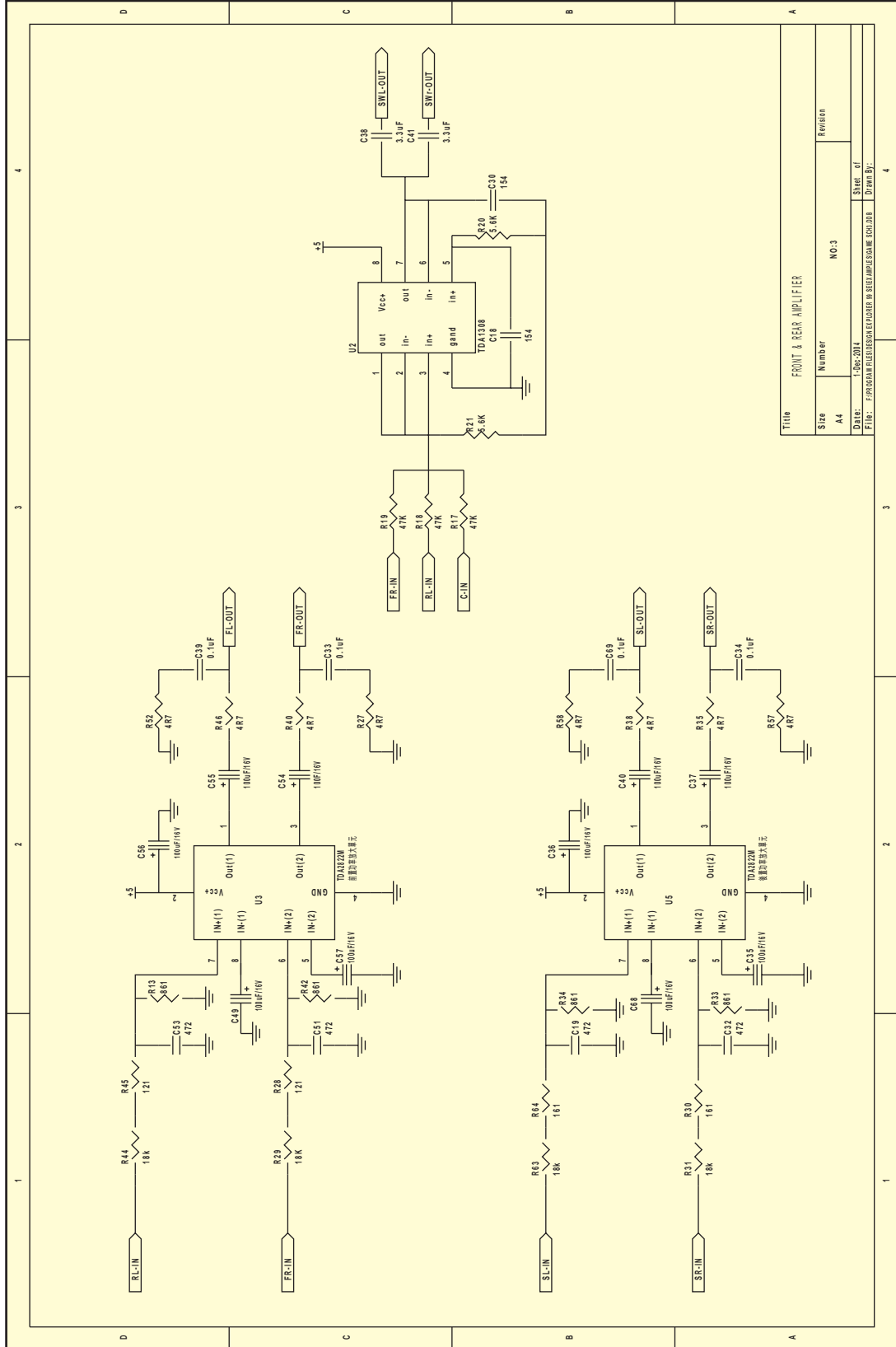
Circuit Diagram 電路圖



Title		CPS.1-GAME Q57785	
Size	Number	Revision	
A4	N.01		
DATE:	1 Dec 2001	SHAPE: J1	4
FILE:	PROGRAM FILE/DESIGN FOR CORE/15 RELEASE/CP5-GAME/IC1.DOC	DATE BY:	



Title		TDA2822M AMPLIFIER FOR CENTER & BASS	
Size	Number	Revision	
A4	NO.2		
Date: 15-Dec-2004		Sheet of	4
Drawn By: PROGRAMMER/DESIGNER/PCB/REPAIR/ENGINEER/SCHLOD		Drawn By:	

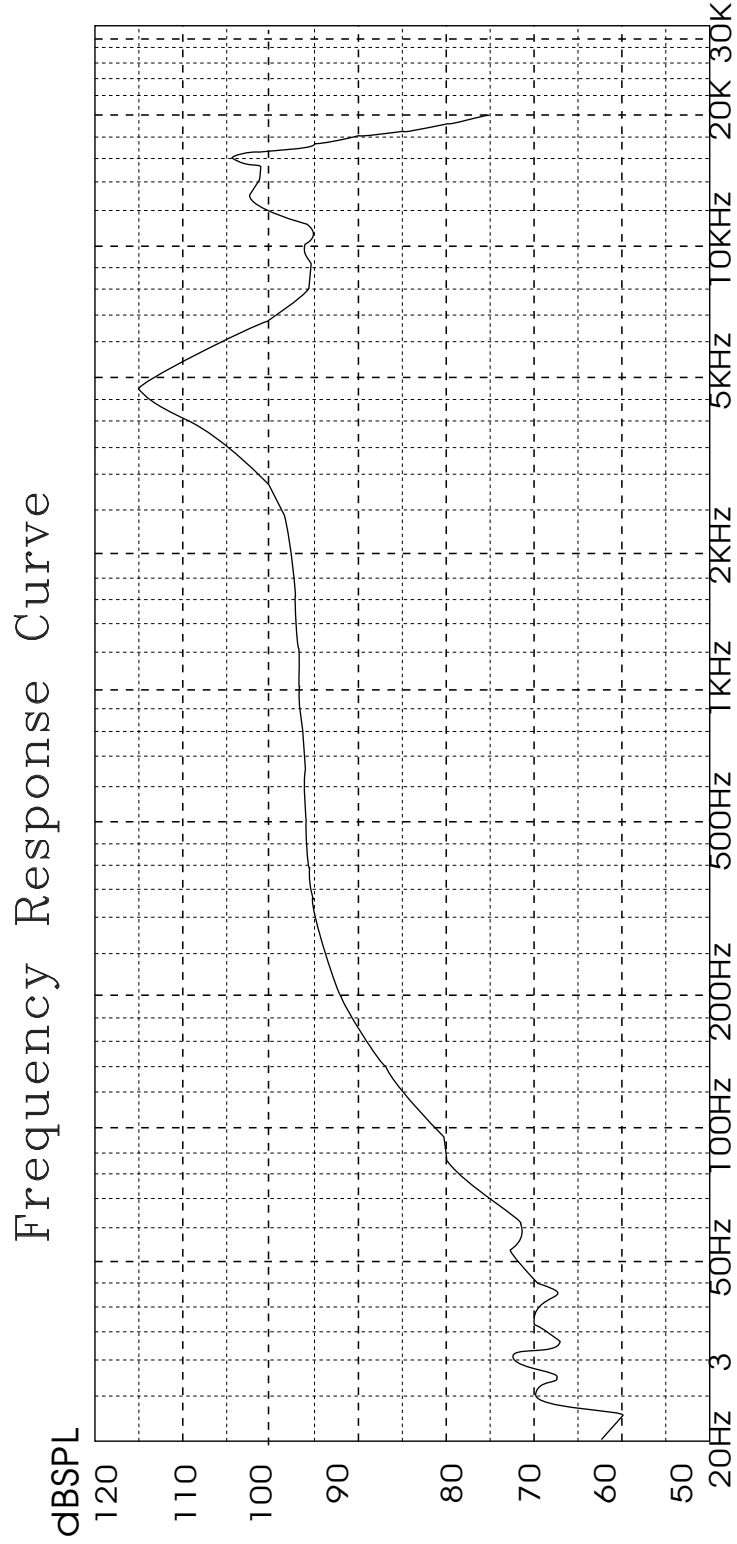


Acoustic Characteristic 音響特性

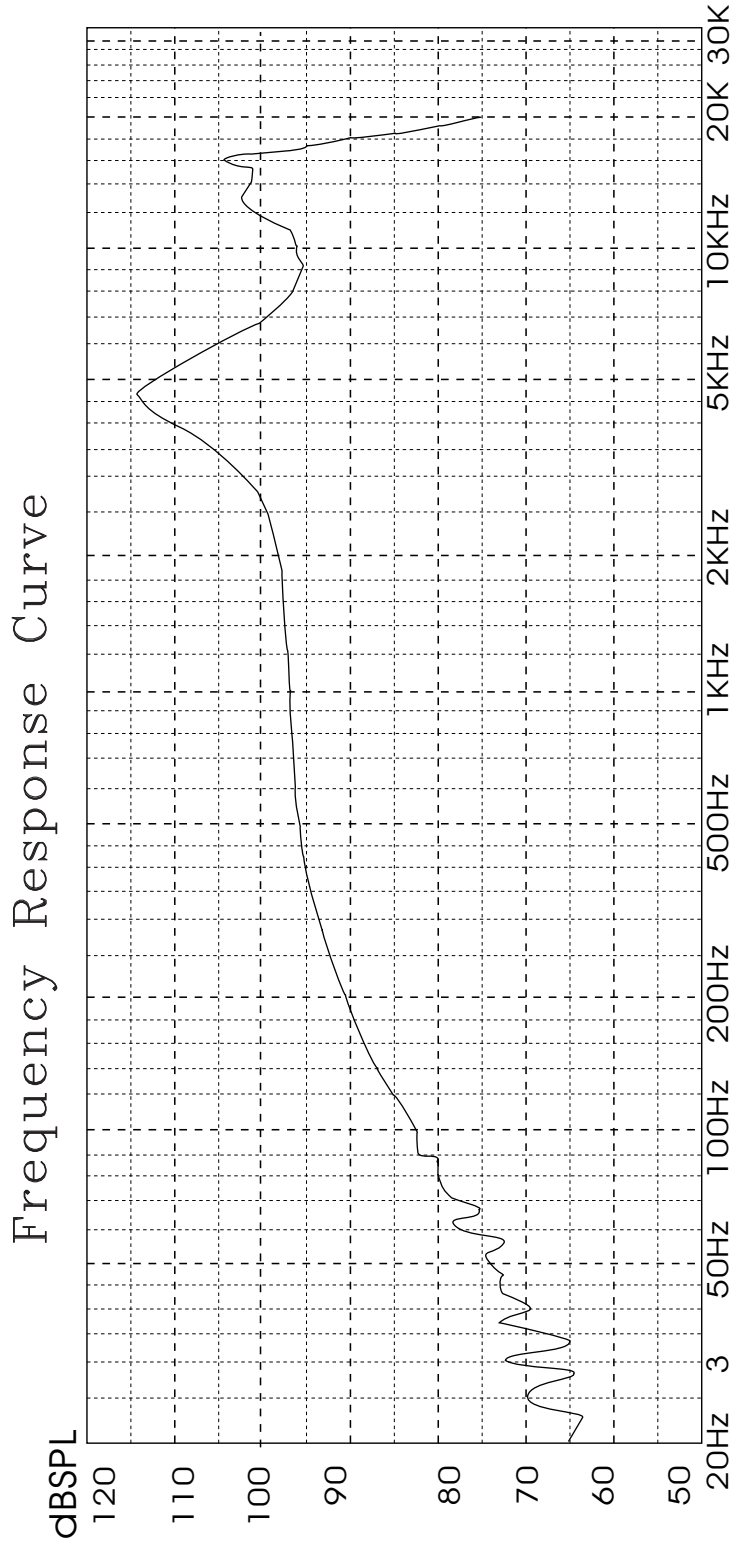
	Characteristic	Front Speaker	Rear Speaker	Center Speaker	Bass Speaker
1.	Frequency Range	20Hz~20kHz	20Hz~20kHz	20Hz~20kHz	20Hz~3kHz
2.	Sensitivity	97± 3dB	97± 3dB	97± 3dB	121± 3dB
3.	Speaker Type & Size	∅27mm Dynamic	∅27mm Dynamic	∅27mm Dynamic	∅30mm Dynamic
4.	Normal Impedance	32Ω	32Ω	32Ω	24Ω
5.	Output Power	150mW	150mW	100mW	15mW (max 100mW)

Speaker
Frequency Response
頻率響應圖

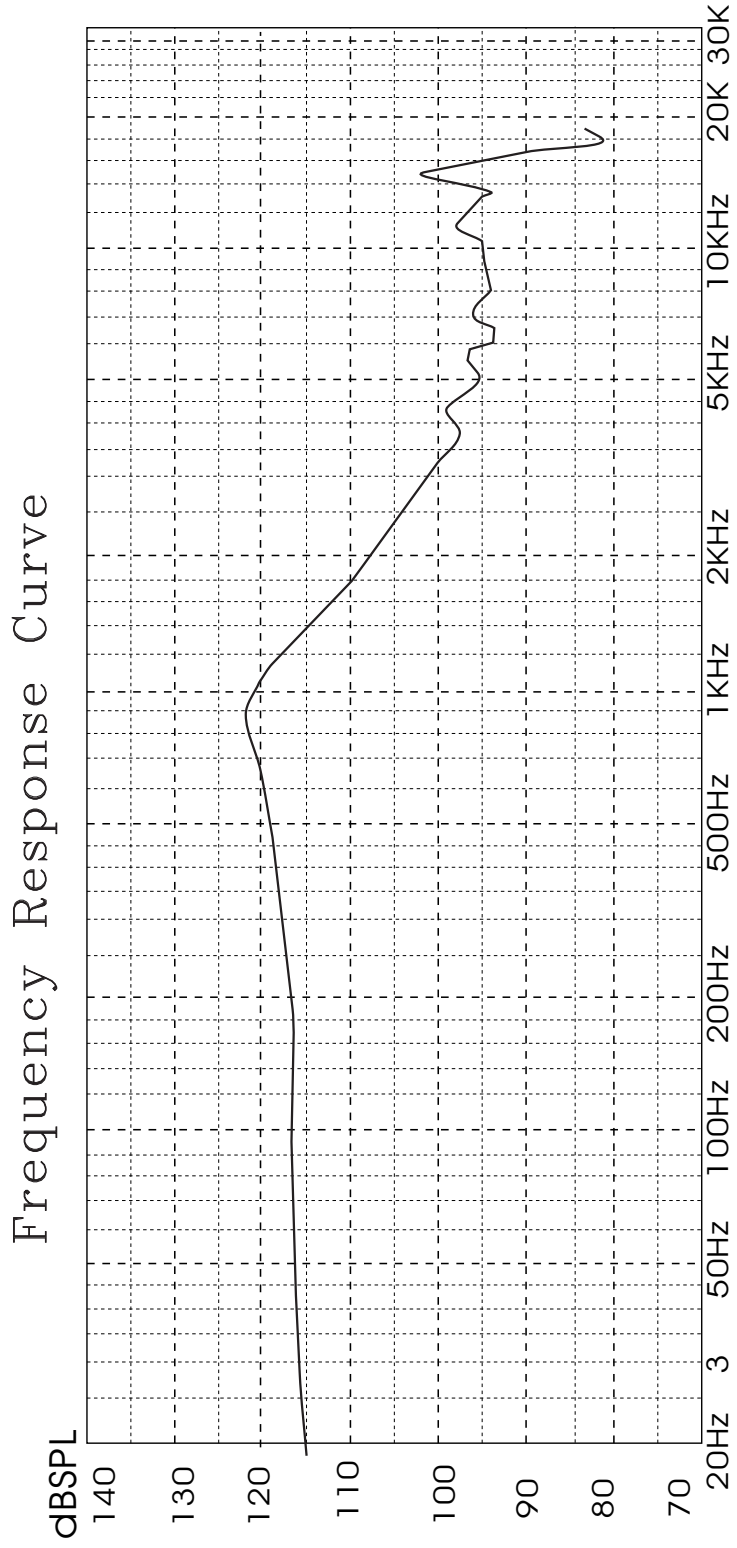
Speaker: Front & Rear Model: CP5.1 GAME
Voltage applied for F.R.: 0.178V
Measure distance: 0.01m



Speaker: **Center** Model: CP5.1 GAME
Voltage applied for F.R. = 0.126V
Measure distance: 0.01m



Speaker:**Bass** Model:CP5.1 GAME
Voltage applied for F.R.=0.155V
Measure distance:0.01m



Electrical Characteristics 電氣特性

Characteristic

1.	電源電壓 Supply Voltage	DC5V
2.	靜態消耗電流 Quiescent Drain Current	<0.1 A
3.	最大消耗電流 Max Drain Current	<1.3 A
4.	總諧波失真 Total Harmonic Distortion	<5%
5.	動態範圍 Dynamic Range	100dB
6.	平衡度 Channel Unbalance	>2dB
7.	分離度 Separation	<100dB
8.	信噪比 S/N	85dB
8.	阻尼係數 Damping Factor	20

**Packaging
包裝**

FRONT VIEW



BACK VIEW



303 mm ± 2

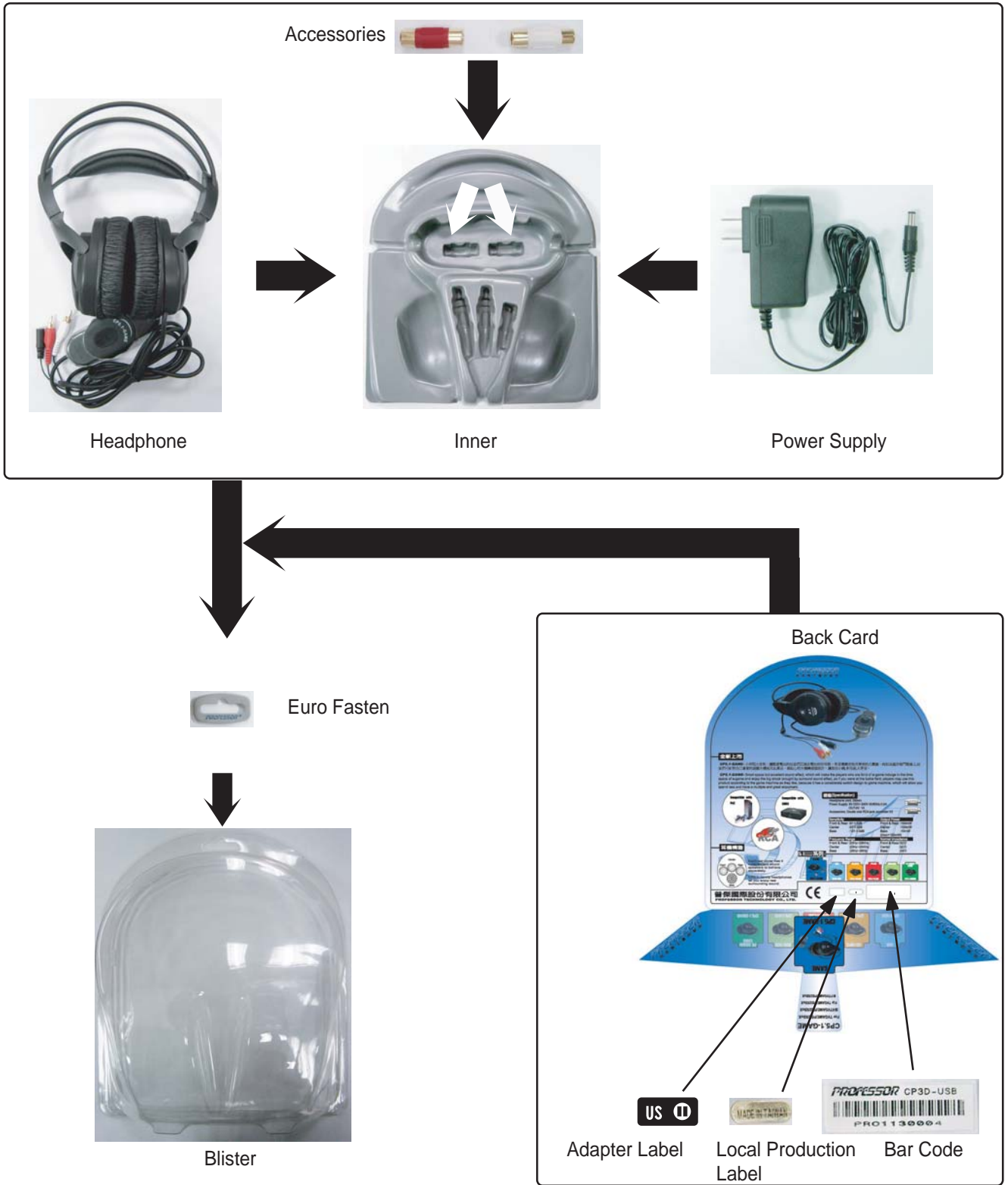
260 mm ± 2

Side View



110 mm ± 2

Packaging Construction 包裝方法示意圖



Carton Packaging Construction 外箱包裝

