



普傑國際股份有限公司

PROFESSOR TECHNOLOGY CO., LTD.

PRODUCT SPECIFICATION

產品承認書

Customer: _____

Product Name: **5.1 Channel Surround Headphone.**

Model No: **CP5.1-XBox/Live**

Production Region: **China**

Version: **English**

Customer Approval Stamp.

Date: ___ / ___ / ___.

Contact Info: Jimmy Chan
+886-3-4551081 ext:209
jimmychan@professor.com.tw
jack@professor.com.tw

Model No:

CP5.1-XBox/Live

Date:

30/Nov/2004

Checked by:

Approved by:

PROFESSOR TECHNOLOGY CO., LTD.

5F, No.25-1, JiLin Rd., Chung-Li Industrial Park, Taoyuan 320, Taiwan.

TEL :+886-3-4551081 FAX :+886-3-4553913

Specification 規格

	Part	Description	Qty.
1.	Driver	Front: 27mm Dynamic Speaker 32 Ohm 150mW Rear: 27mm Dynamic Speaker 32 Ohm 150mW Center: 27mm Dynamic Speaker 32 Ohm 100mW Bass: 30mm Dynamic Speaker 24 Ohm 15mW	2 2 2 2
2.	Processor	Input: AC100~240V 50/60Hz ; AU type Plug Output: DC+5V 1A	1
3.	Headphone type	Closed Air type.	
4.	Cable & Connector	Cord Length: 240 cm Connector: Rca plug (right) red color. Rca plug (left) white color. Accessories : Double-side Rca Jack (white) Double-side Rca Jack (red)	1 1 1 1
5.	Weight	Gross Weight: 710 g (include accessories and package) Net Weight: 473 g (only headphone)	
6.	Package type	Blister	
7.	Power Supply	Input: AC100~240V 50/60Hz ; US type Plug Output: DC+5V 1A DC plug: OD=5.5mm ID=2.7mm	
8.	Mircophone	Size: $\varnothing 6$ mm x 5mm Sensitivity: -62 \pm 2dB	1

Cosmetic List
外觀圖清單



Power Supply



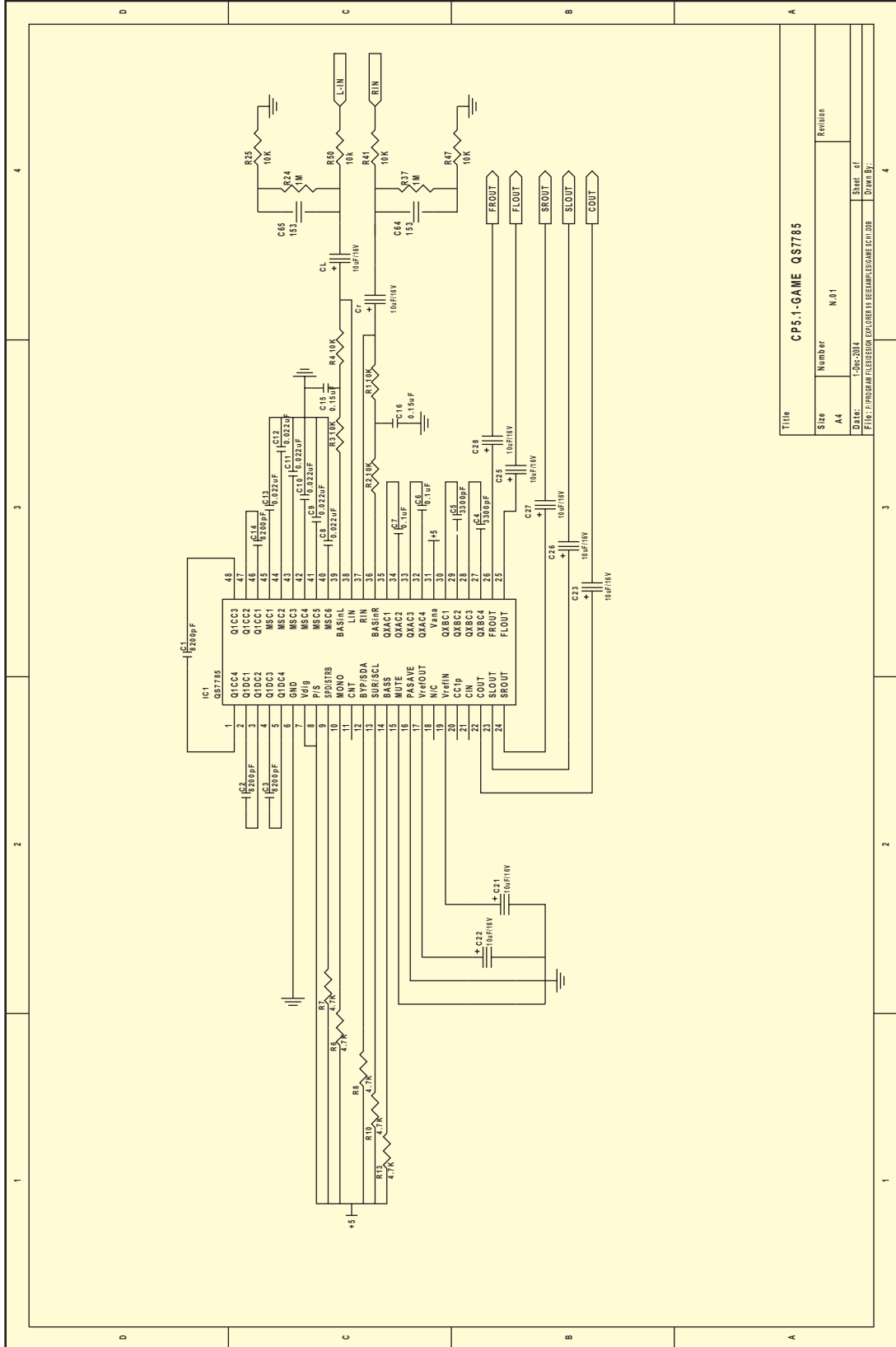
AU

1. Headphone
2. Control Box (Processor) with Volume control.
3. RCA Plug (right)
4. RCA Plug (Left)
5. DC Jack
6. Microphone
7. Mic. Plug ($\varnothing 2.5\text{mm}$)

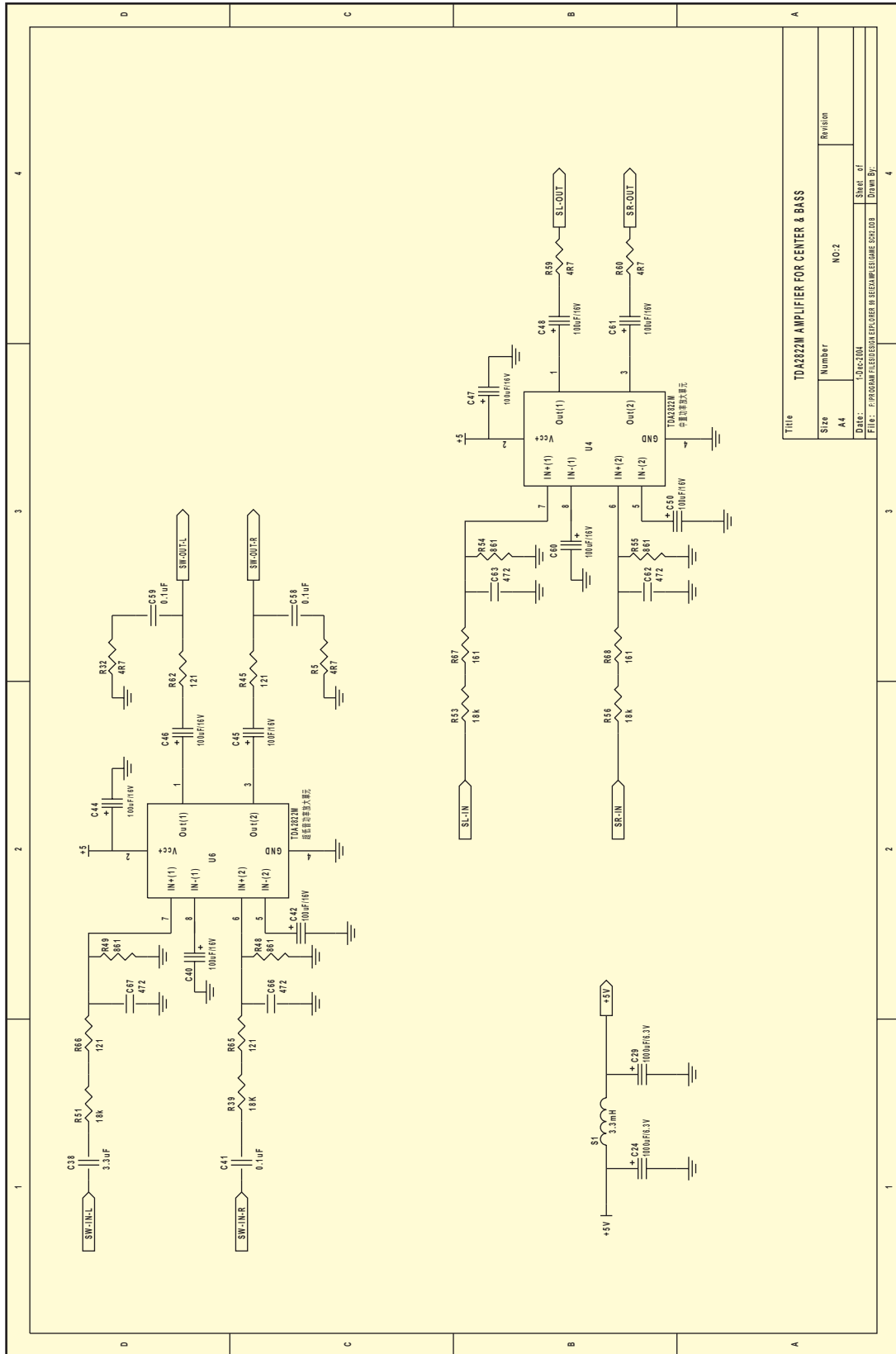


1. Double-side RCA Jack (red)
2. Double-side RCA Jack (white)

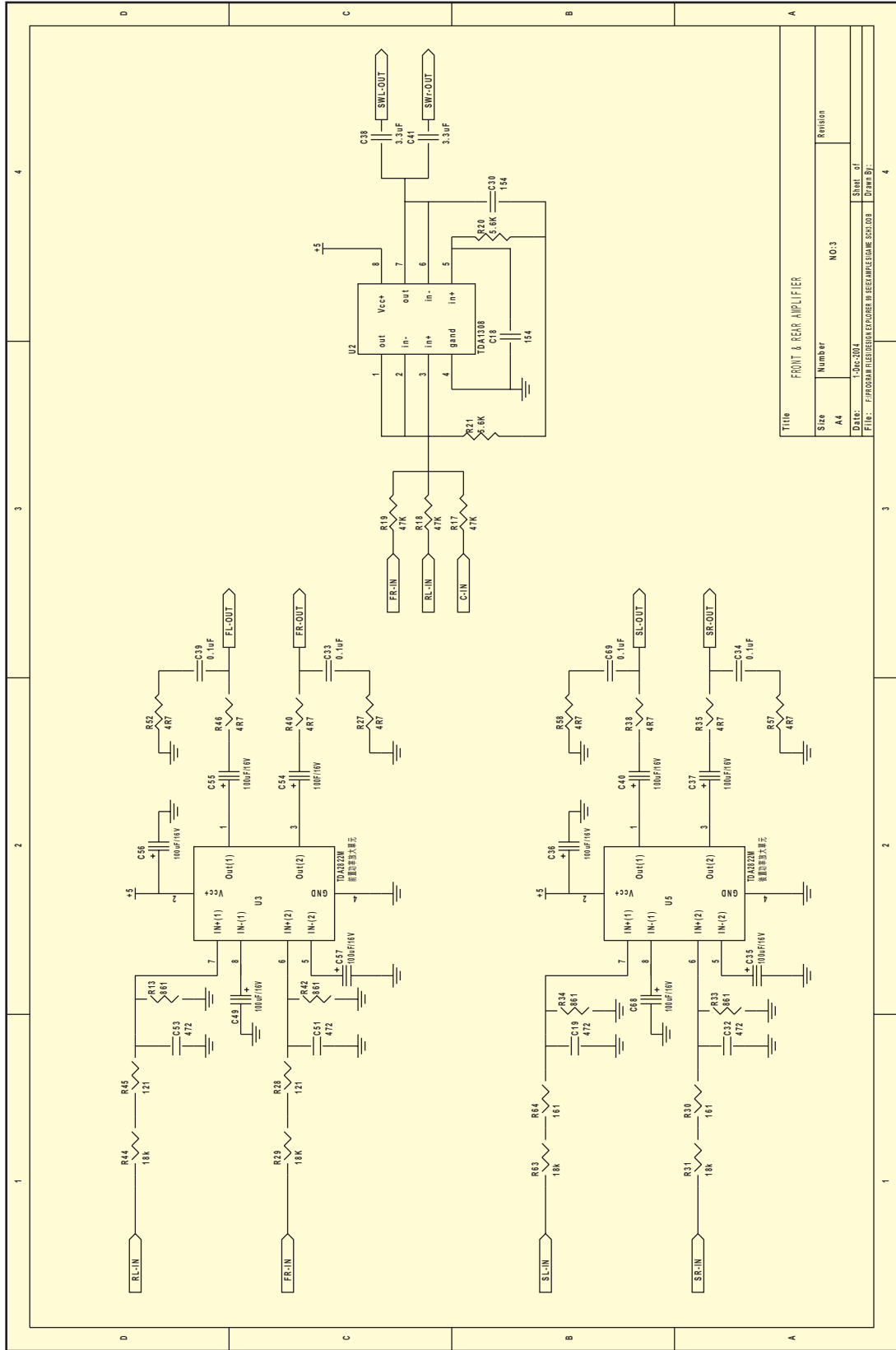
Circuit Diagram 電路圖



Title		CPS.1-GAME Q57785	
Size	Number	Revision	
A4	N.01		
DATE:	1.04.2014	STATE:	1
FILE:	PROGRAM TELEVISION FOR CURRENT MEMBERS/CP5GAME/IC1.DOC	DRAWN BY:	4



Title		TDA2822M AMPLIFIER FOR CENTER & BASS	
Size	Number	Revision	
A4	NO.2		
Date:	1-04-2004	Sheet of	4
File: P:\PROGRAM FILE\DESIGN EXPLORER IN SEED\PCB\LEADERS SCH.DDB		Drawn By:	



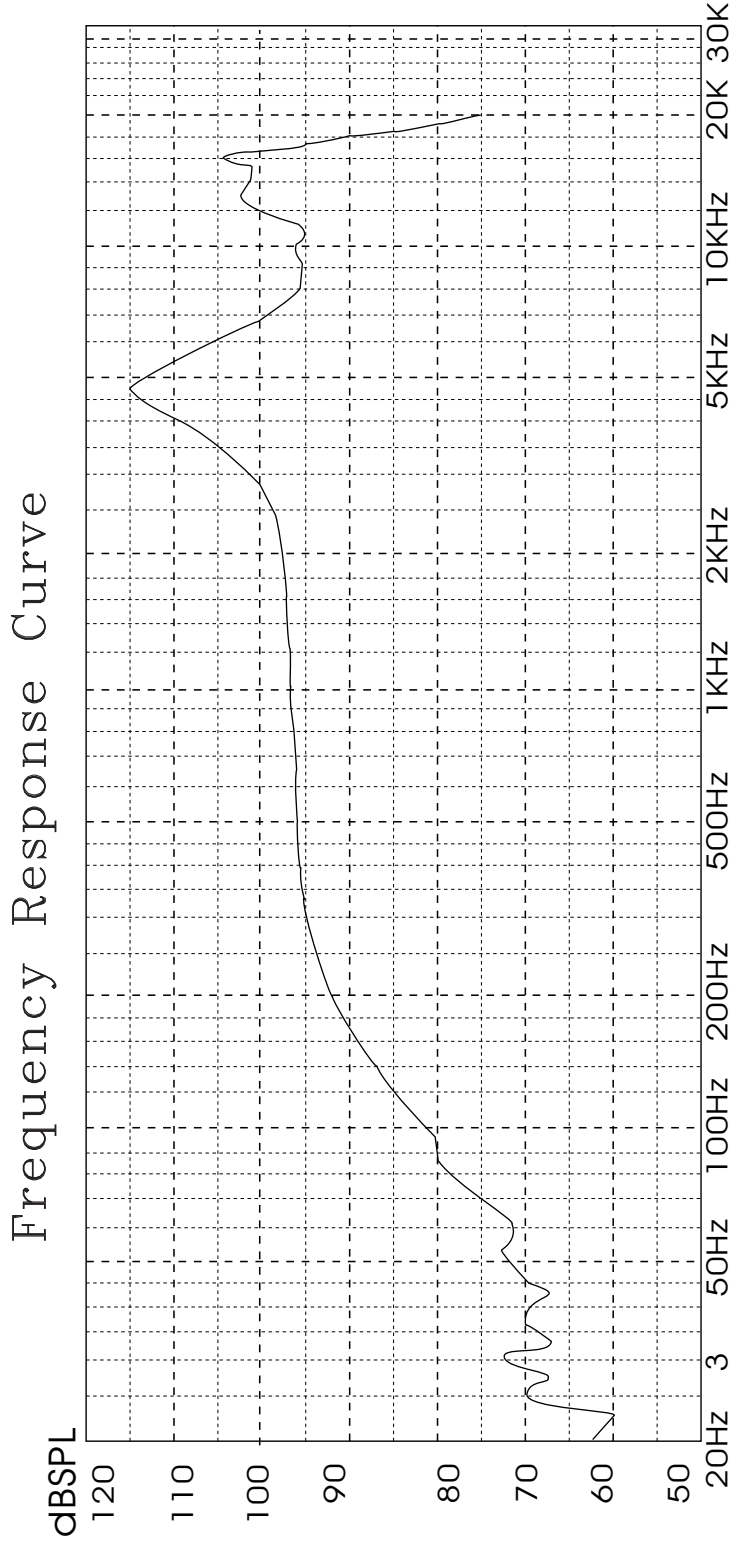
Title		FRONT & REAR AMPLIFIER	
Size	Number	NO.3	Revision
A4			
DATE:	1.04.2014	STATE:	SI
FILE:	PROGRAMMER/DESIGNER/ENGINEER/DESIGNER/DESIGNER	DRAWN BY:	

Acoustic Characteristic 音響特性

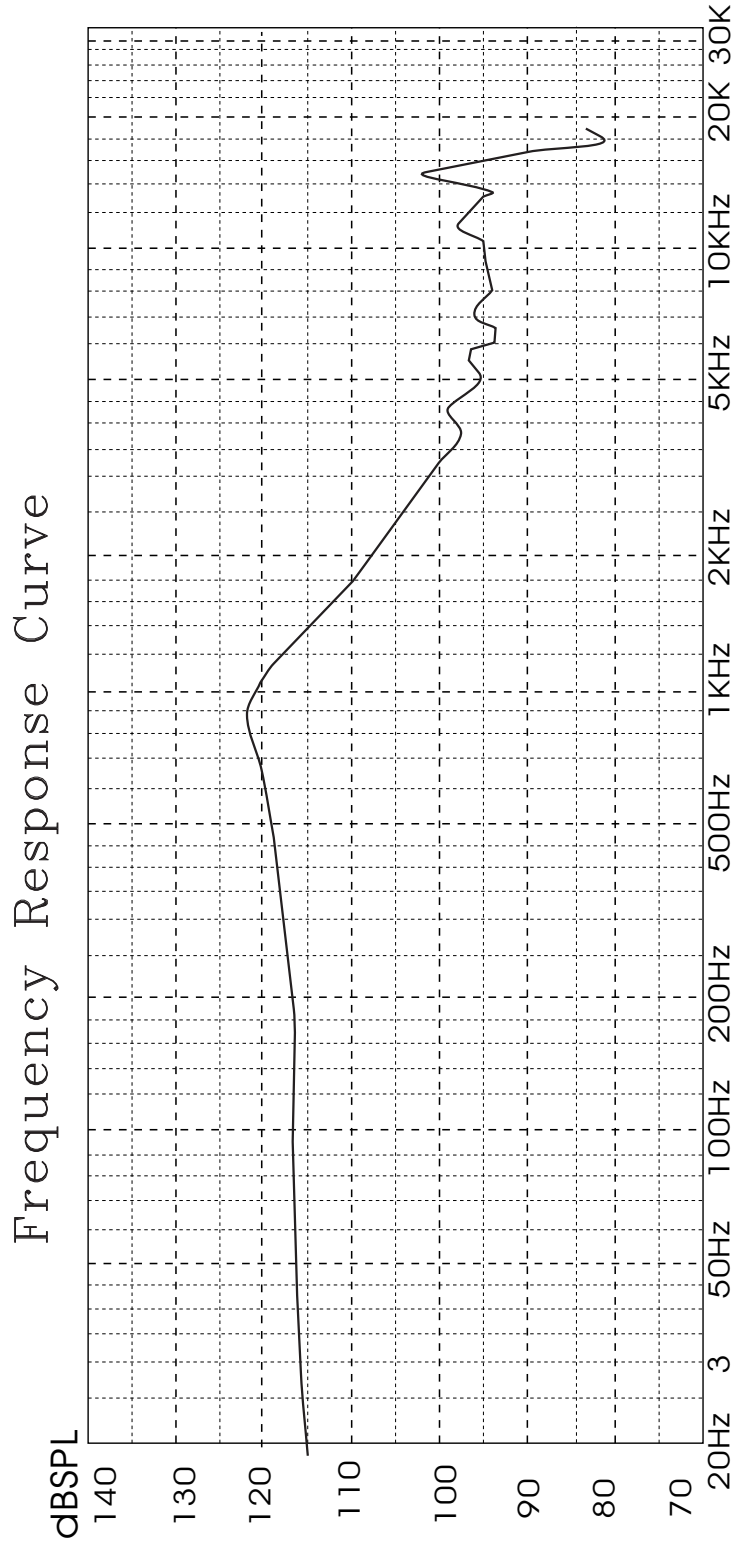
	Characteristic	Front Speaker	Rear Speaker	Center Speaker	Bass Speaker
1.	Frequency Range	20Hz~20kHz	20Hz~20kHz	20Hz~20kHz	20Hz~3kHz
2.	Sensitivity	97± 3dB	97± 3dB	97± 3dB	121± 3dB
3.	Speaker Type & Size	∅27mm Dynamic	∅27mm Dynamic	∅27mm Dynamic	∅30mm Dynamic
4.	Normal Impedance	32Ω	32Ω	16Ω	24Ω
5.	Output Power	150mW	150mW	100mW	15mW (max 100mW)

Speaker
Frequency Response
頻率響應圖

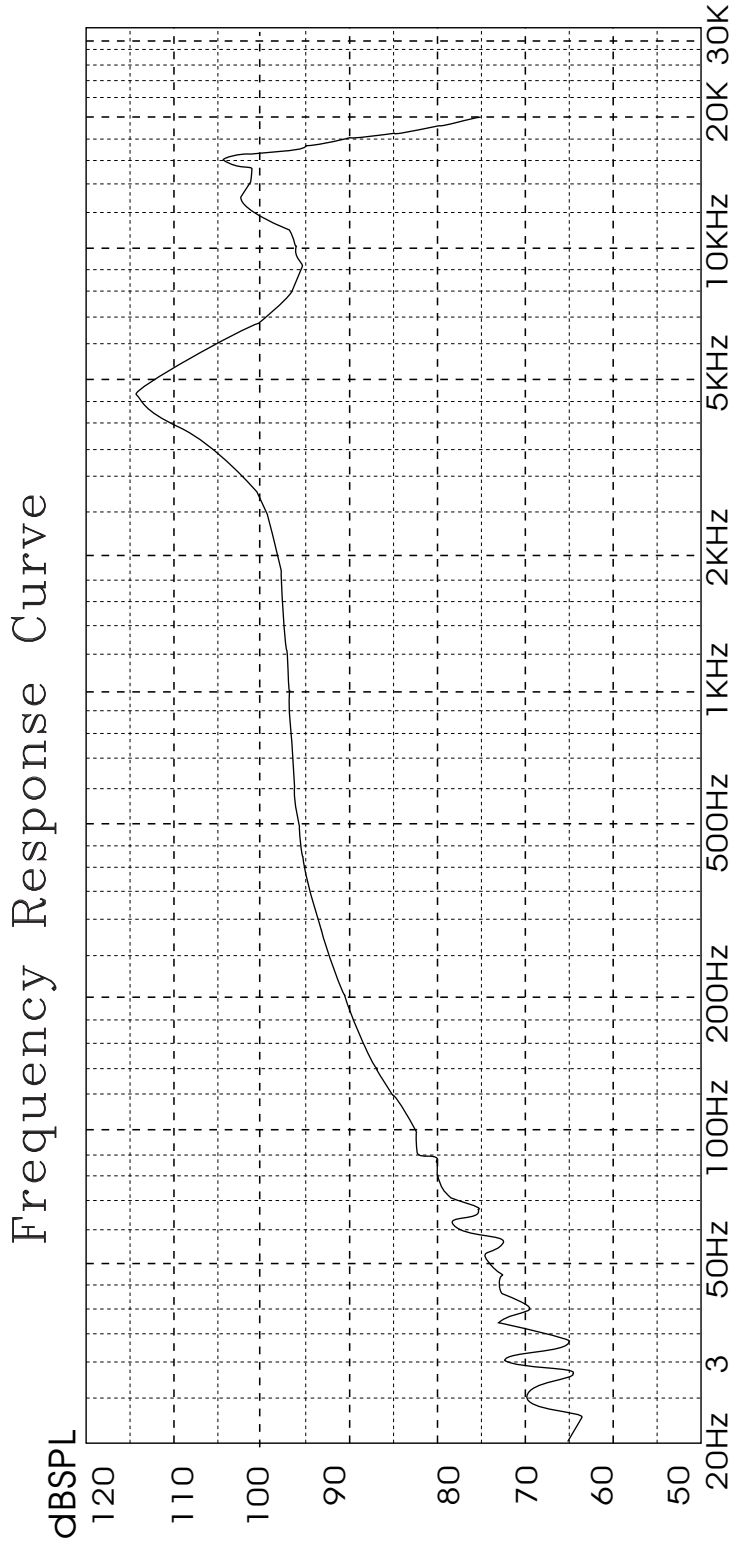
Speaker: **Front & Rear** Model: CP5.1 GAME
Voltage applied for F.R.: 0.178V
Measure distance: 0.01m



Speaker:**Bass** Model:CP5.1 GAME
Voltage applied for F.R.=0.155V
Measure distance:0.01m



Speaker: **Center** Model: CP5.1 GAME
Voltage applied for F.R.=0.126V
Measure distance: 0.01m



Electrical Characteristics 電氣特性

Characteristic

1.	電源電壓 Supply Voltage	DC5V
2.	靜態消耗電流 Quiescent Drain Current	≤ 0.1 A
3.	最大消耗電流 Max Drain Current	≤ 1.3 A
4.	總諧波失真 Total Hharmonic Distortion	$\leq 5\%$
5.	動態範圍 Dynamic Range	100dB
6.	平衡度 Channel Unbalance	≥ 2 dB
7.	分離度 Separation	≤ 100 dB
8.	信噪比 S/N	85dB
8.	阻尼係數 Damping Factor	20

Packaging
包裝

FRONT VIEW



BACK VIEW



303 mm ± 2

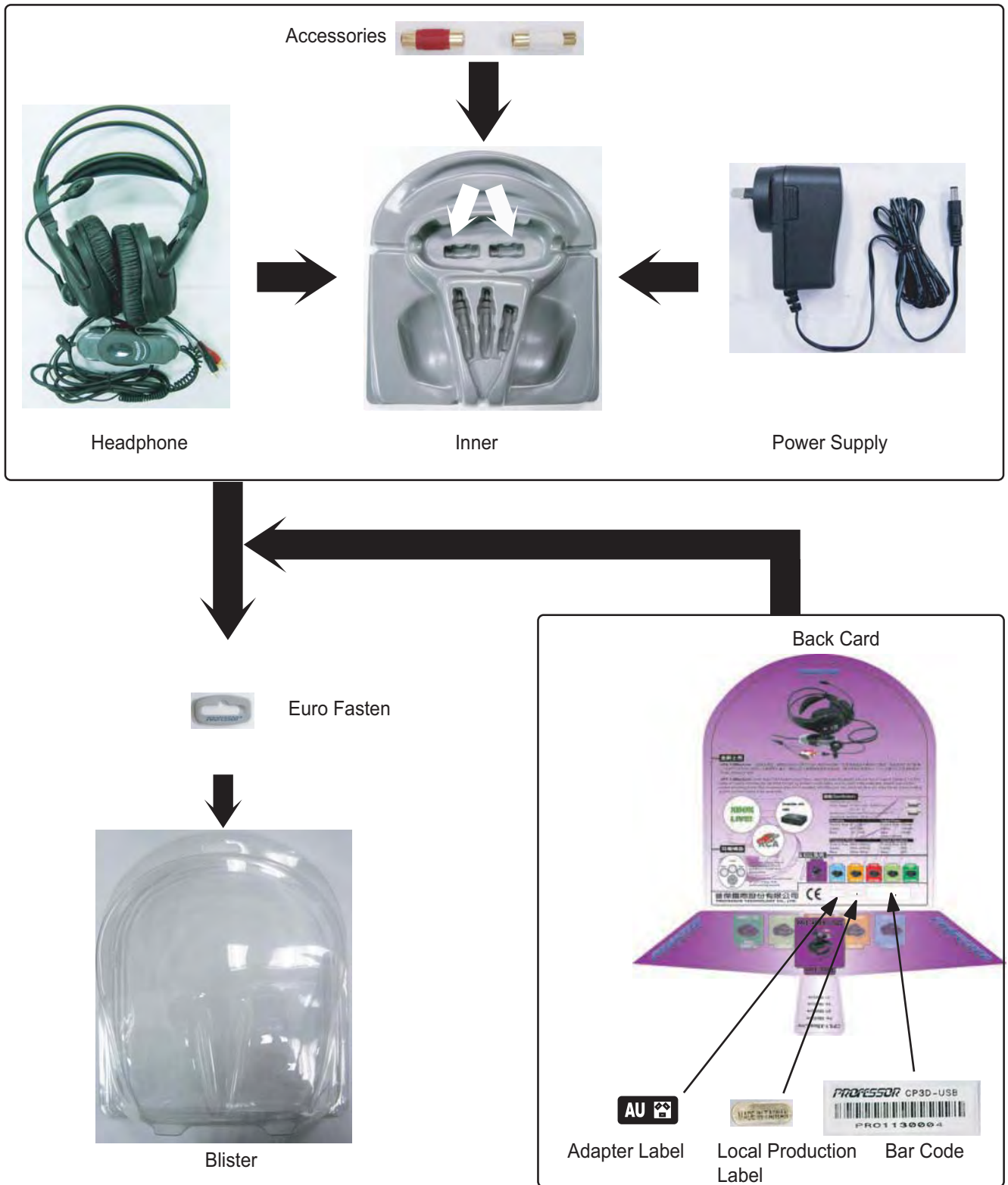
260 mm ± 2

Side View



110 mm ± 2

Packaging Construction 包裝方法示意圖



Carton Packaging Construction 外箱包裝

