



普傑國際股份有限公司

PROFESSOR TECHNOLOGY CO., LTD.

PRODUCT SPECIFICATION

產品承認書

Customer: _____

Product Name: **5.1 Channel Surround Headphone.**

Model No: **CP3D-USB**

Production Region: **China**

Version: **English**

Customer Approval Stamp.

Date: ___ / ___ / ___.

Contact Info: Jimmy Chan
+886-3-4551081 ext:209
jimmychan@professor.com.tw
jack@professor.com.tw

Model No:
CP3D-USB

Date:
30/Nov/2004

Checked by:

Approved by:

PROFESSOR TECHNOLOGY CO., LTD.

5F, No.25-1, JiLin Rd., Chung-Li Industrial Park, Taoyuan 320, Taiwan.

TEL :+886-3-4551081 FAX :+886-3-4553913

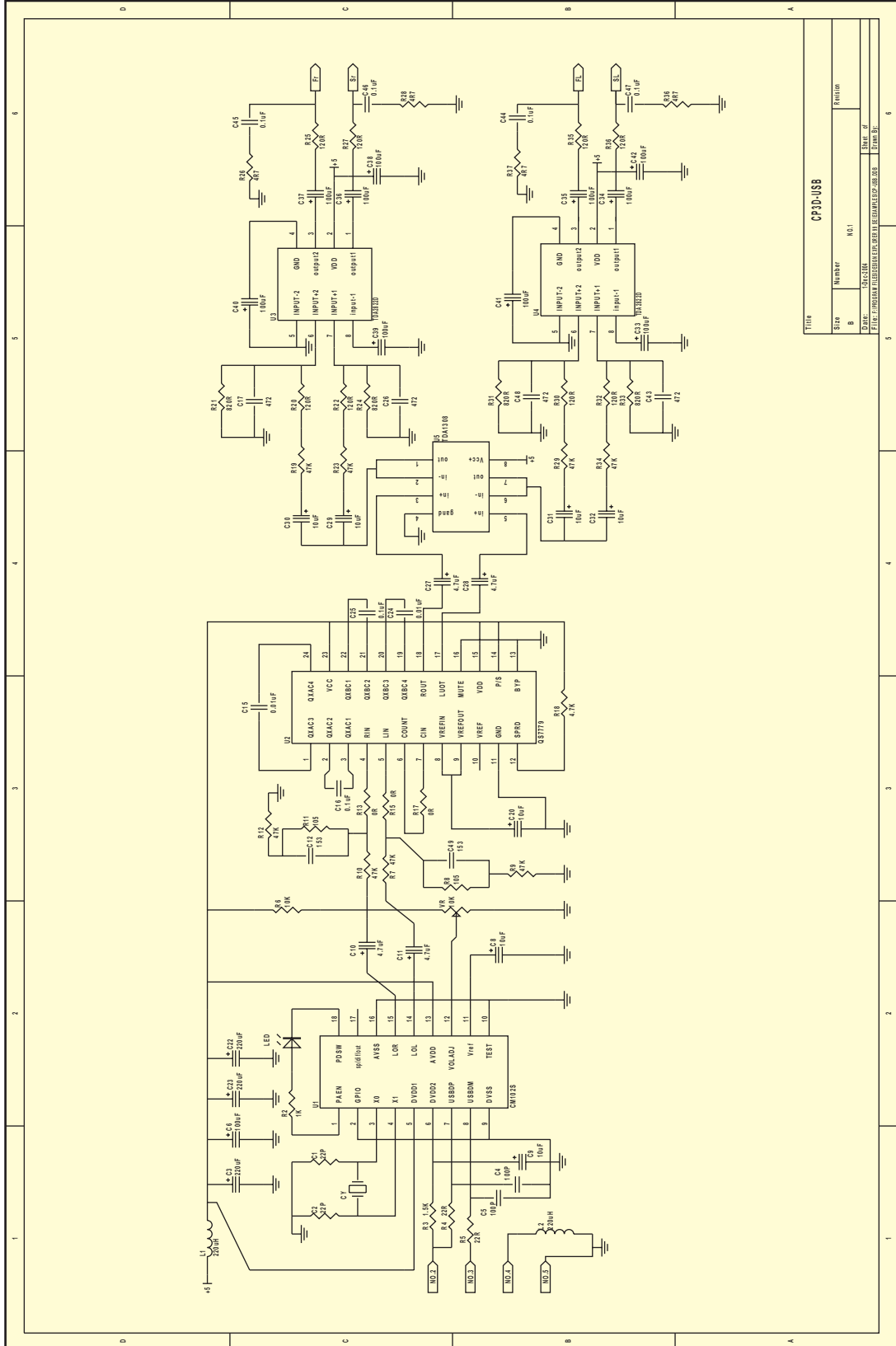
Specification 規格

	Part	Description	Qty.
1.	Driver	Front: 27mm Dynamic Speaker 32 Ohm 150mW Rear: 27mm Dynamic Speaker 32 Ohm 150mW	2 2
2.	Processor	Power: USB 1.1/2.0 5V 0.1A	1
3.	Headphone type	Closed Air type.	
4.	Cable & Connector	Cord Length: 240 cm Connector: USB	1 1
5.	Weight	Gross Weight: 595 g (include accessories and package) Net Weight: 400 g (only headphone)	
6.	Package type	Blister	1

Cosmetic List
外觀圖清單



Circuit Diagram 電路圖



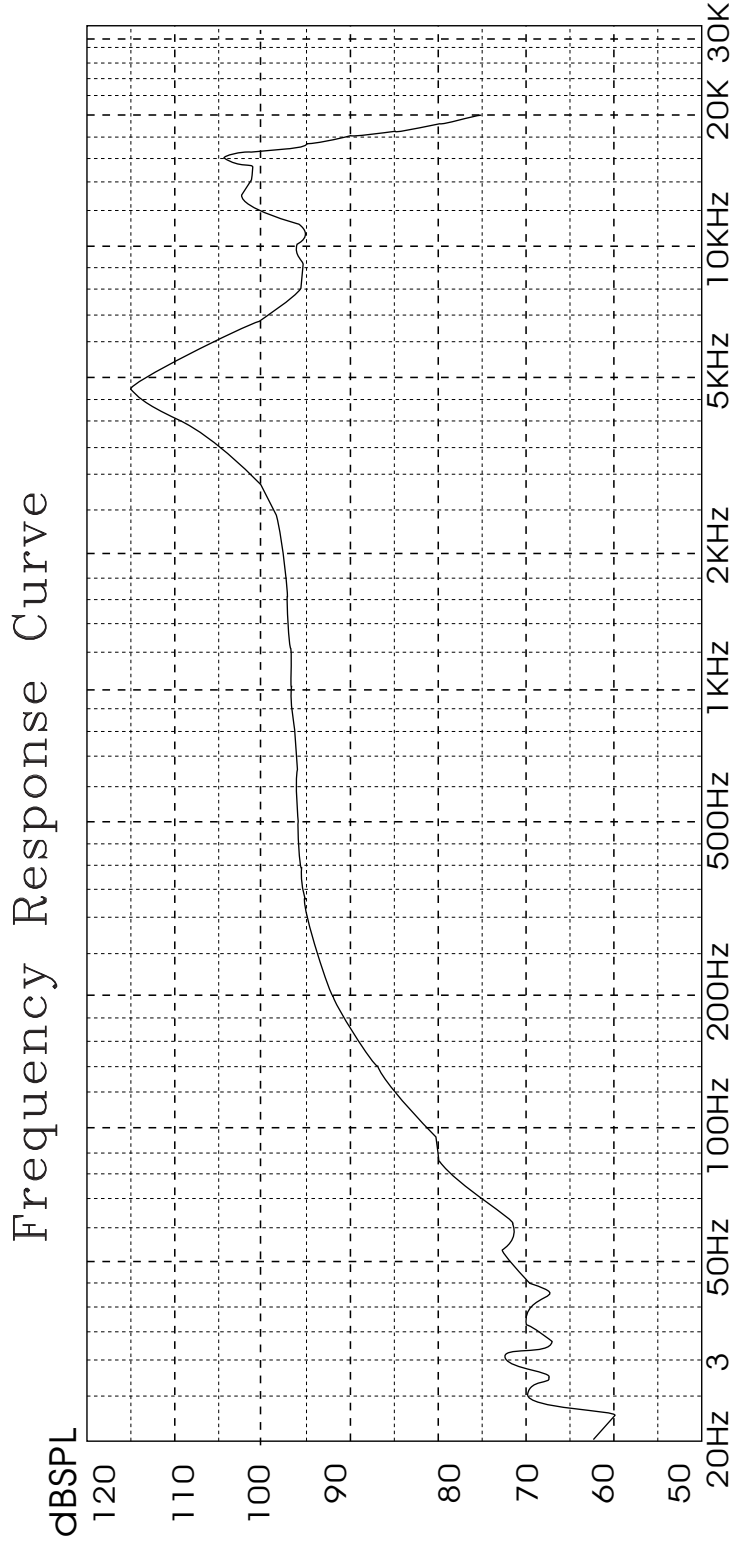
Title		CP3D-USB	
Size	Number	N.C.1	
B		Revision	
D.W.C.		151228EN	
File		PROGRAM\ALU\CP3D-USB\CP3D-USB.DWG	
Date		2012.08.03	
Drawn By		E.D.W.	

Acoustic Characteristic 音響特性

	Characteristic	Front Speaker	Rear Speaker
1.	Frequency Range	20Hz~20kHz	20Hz~20kHz
2.	Sensitivity	97± 3dB	97± 3dB
3.	Speaker Type & Size	∅27mm Dynamic	∅27mm Dynamic
4.	Normal Impedance	32Ω	32Ω
5.	Output Power	150mW	150mW

Speaker
Frequency Response
頻率響應圖

Speaker: Front & Rear Model: CP5.1 GAME
Voltage applied for F.R.: 0.178V
Measure distance: 0.01m



Electrical Characteristics 電氣特性

Characteristic

1.	電源電壓 Supply Voltage	DC5V
2.	靜態消耗電流 Quiescent Drain Current	<50mA
3.	最大消耗電流 Max Drain Current	<200mA
4.	總諧波失真 Total Harmonic Distortion	<5%
5.	動態範圍 Dynamic Range	100dB
6.	平衡度 Channel Unbalance	>2dB
7.	分離度 Separation	<100dB
8.	信噪比 S/N	85dB
8.	阻尼係數 Damping Factor	20

Packaging
包裝

FRONT VIEW



BACK VIEW



303 mm ± 2

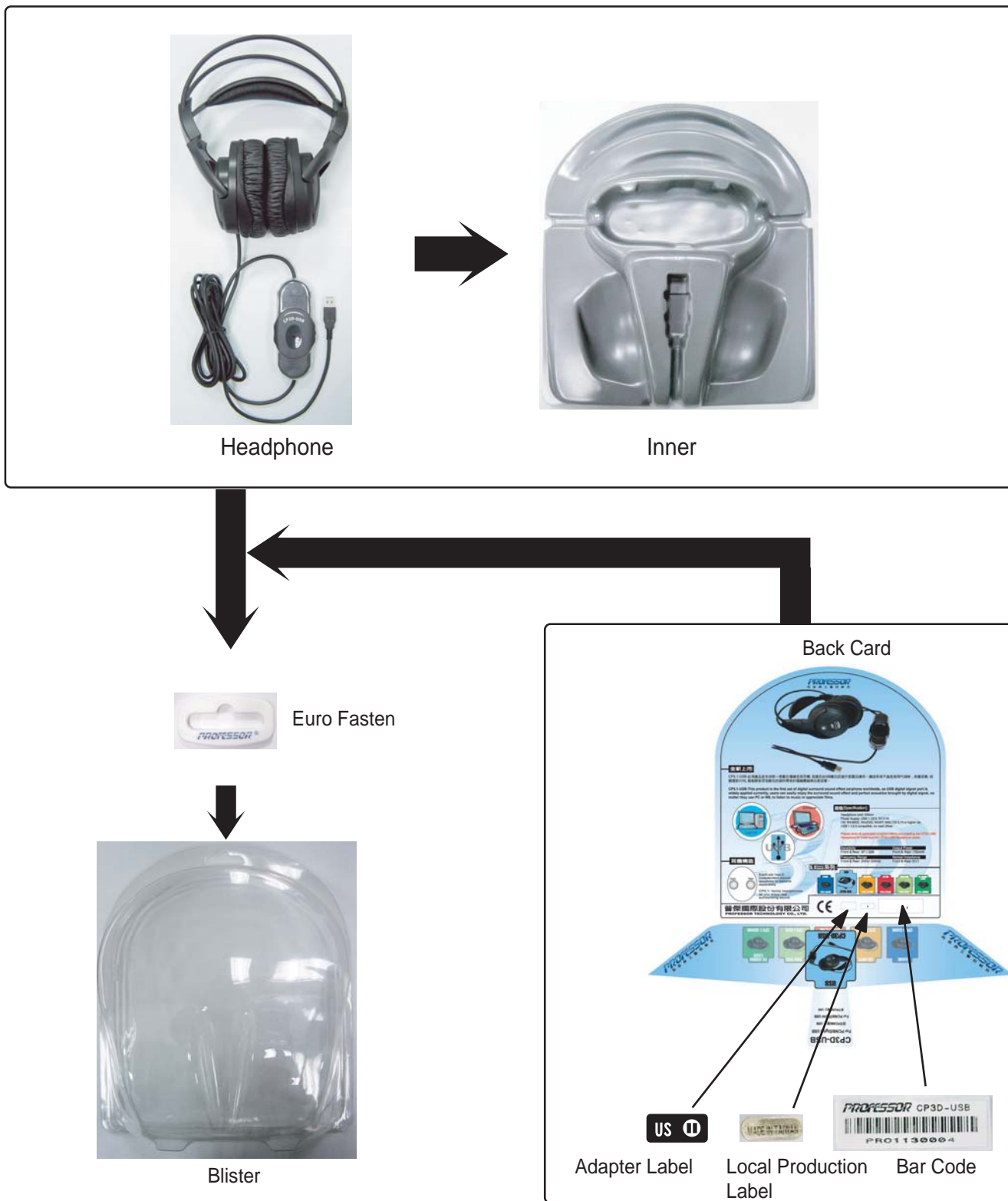
260 mm ± 2

Side View

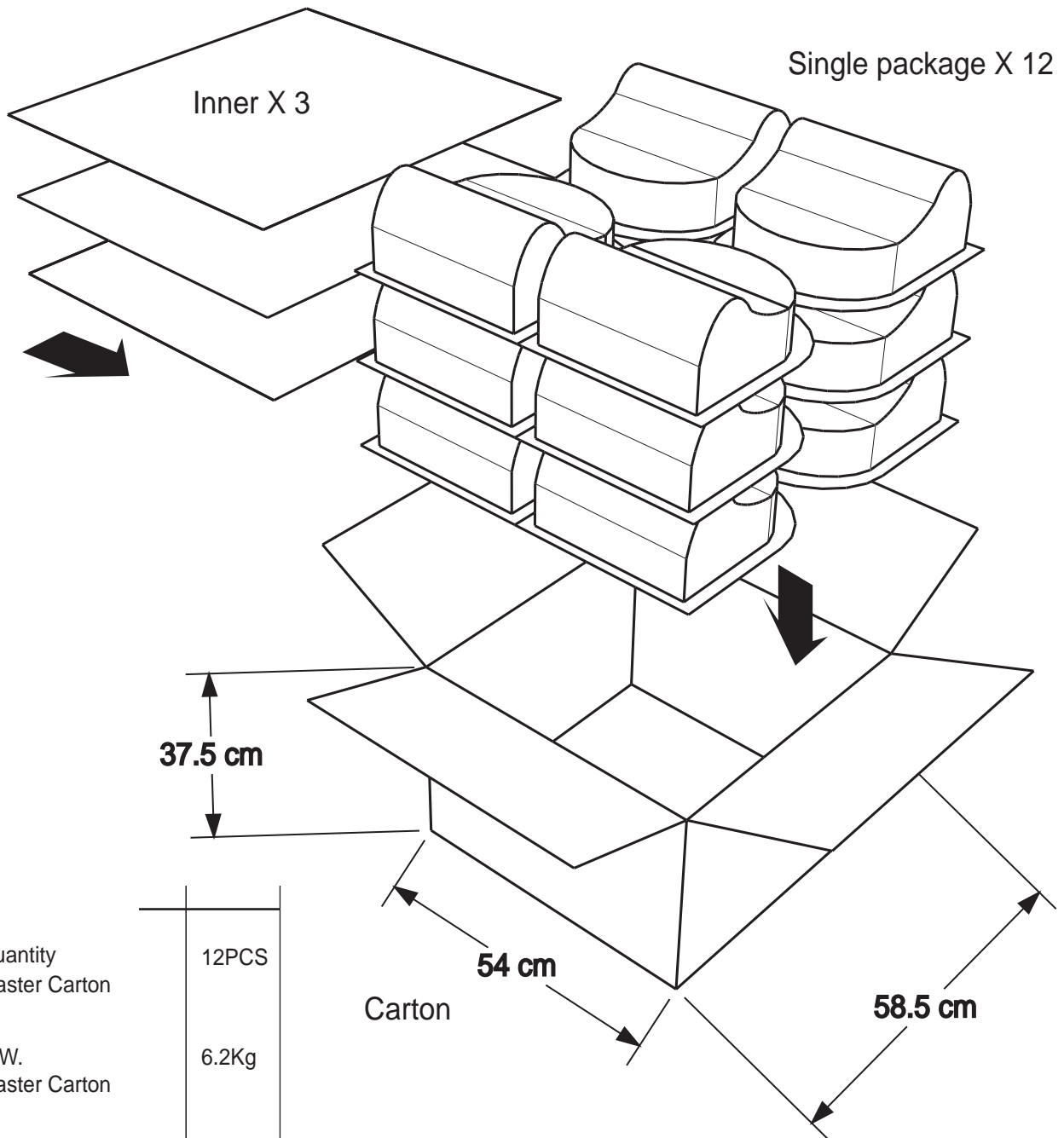


110 mm ± 2

Packaging Construction 包裝方法示意圖



Carton Packaging Construction 外箱包裝



Quantity
Master Carton

12PCS

N.W.
Master Carton

6.2Kg

G.W.
Master Carton

8.5Kg