



普傑國際股份有限公司

PROFESSOR TECHNOLOGY CO., LTD.

PRODUCT SPECIFICATION

產品承認書

Customer: _____

Product Name: **Active GPS & GSM Antenna**

Model No: **CPG14D**

Production Region: **TAIWAN**

Version: **English**

Customer Approval Stamp.

Date: ___ / ___ / ___.

Contact Info: Jimmy Chan
+886-3-4551081 ext:209
jack@professor.com.tw
jimmychan@professor.com.tw

Model No:

CPG14D

Date:

19/Jan/2005

Checked by:

Approved by:

PROFESSOR TECHNOLOGY CO., LTD.

5F, No.25-1, JiLin Rd., Chung-Li Industrial Park, Taoyuan 320, Taiwan.

TEL :+886-3-4551081 FAX :+886-3-4553913

Specification 規格

1.0 CONFIGURATION

1.1	RF Cable	RG174 , $\varnothing 2.5 \pm 0.05\text{mm}$ Double Shield, Black.	
		Cable Length	3m \pm 5cm
1.2	RF Connector	MCX 90°(Male) both GPS & GSM	

2.0 GENERAL

2.1 ENVIRONMENTAL CONDITIONS

2.1.1	Operation Temperature	-30 to + 80
2.1.2	Storage Temperatur	-40 to + 100
2.1.3	Relative Humidity	40% to 95%

2.2 MECHANICAL SPECIFICATIONS

2.2.1	Mounting	On glass with double-side tape.
2.2.2	Horizontal Pulling Force of Magnet	1.5 Kg Min.
2.2.3	Water Proof	100 % water proof.
2.2.4	Shock	10msec. Half sine wave.
2.2.5	Magnet Threshold	The antenna must stay attached to the vehicle, at a speed of 180 km/h.
2.2.6	Housing Material	ABS (Black)
2.2.7	Weight	115g Max.
2.2.8	Dimension	See Page. 4

3.0 GPS ANTENNA

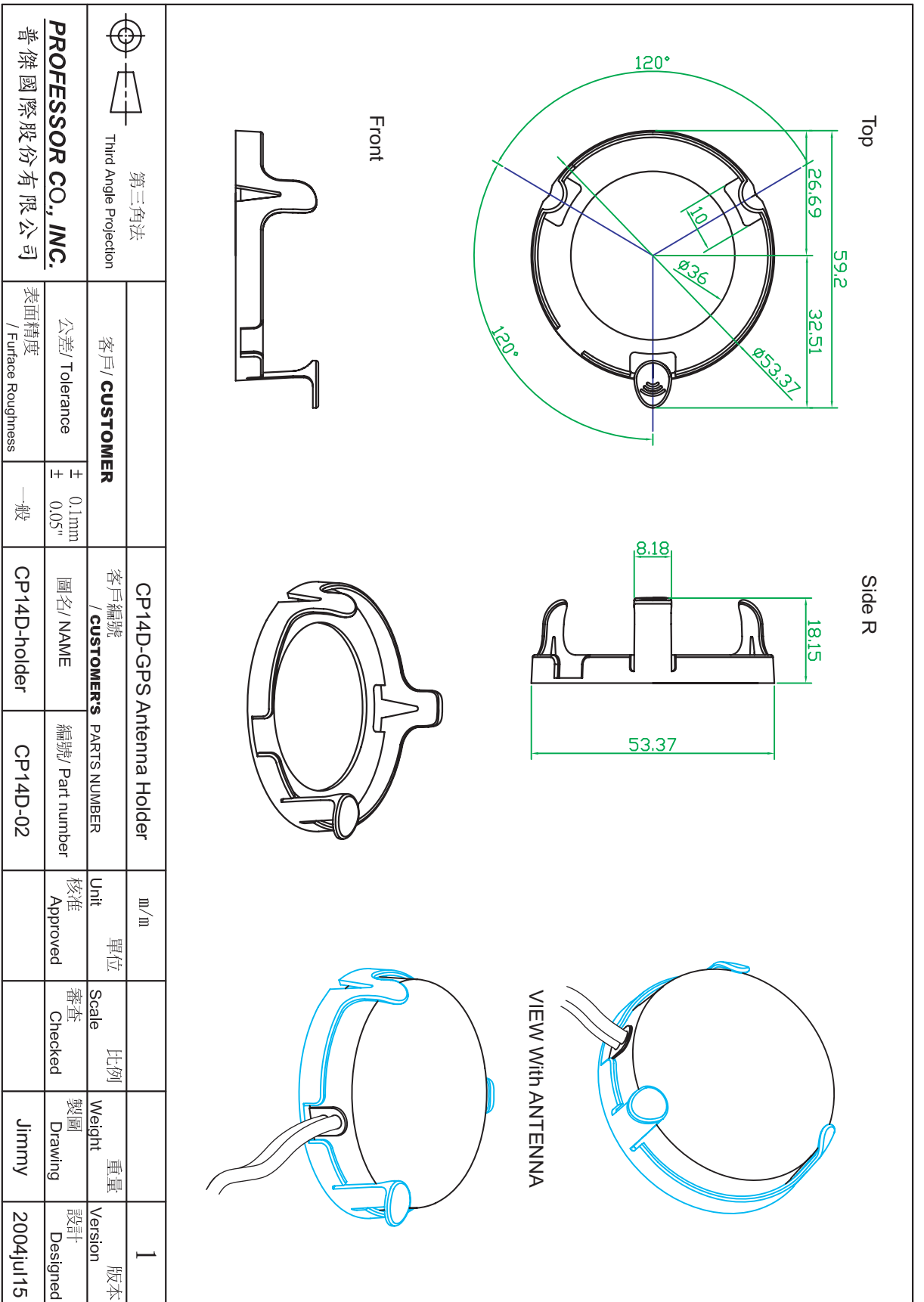
3.1	Frequency Range	1575.42 \pm 1.023 MHz.	
3.2	Gain	90° : 2.0 dBi Min. 20° : -5.0 dBi Min. Mounted on the 60mm*60mm ground plane.	
		RHCP	
3.4	Axial Ratio	90° : Max 3.0dB Mounted on the 60mm*60mm ground plane.	
3.5	Input Voltage	3V~5V	
3.6	Power Consumption	At 3.0 V	Typ: 13mA. Max: 16mA.
		At 5.0 V	Typ: 18mA. Max: 22mA.

4.0 LNA

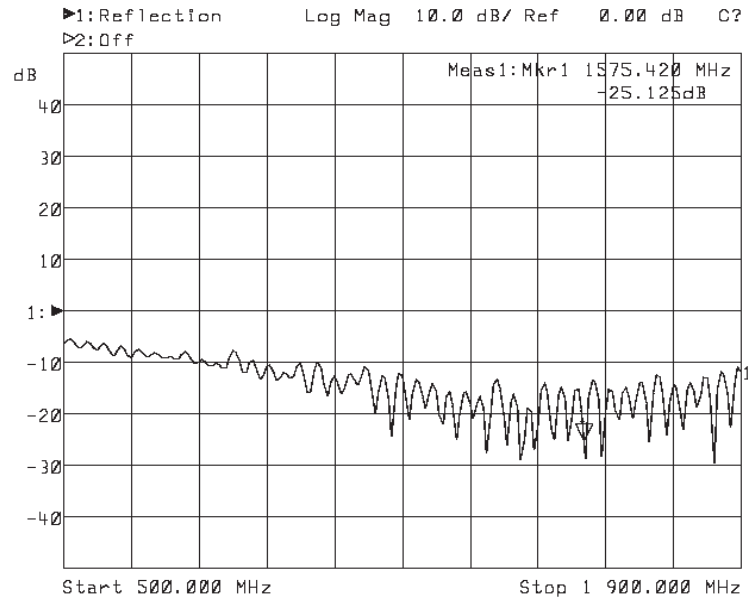
4.1	Frequency Range	1575.42 ± 1.023 MHz
4.2	Gain	28 ± 4.5dB (+25 ± 5)
4.3	Noise Figure	1.5 dB Max. (+25 ± 5) 2.2 dB Max. (+85)
4.4	Out Band Rejection	fo = 1575.42MHz fo ± 20 MHz 7dB MIN fo ± 30 MHz 12dB MIN fo ± 50 MHz 20dB MIN fo ± 100 MHz 30dB MIN
4.5	Output Impedance	50
4.6	Output VSWR	2.0 Max

5.0 GSM ANTENNA

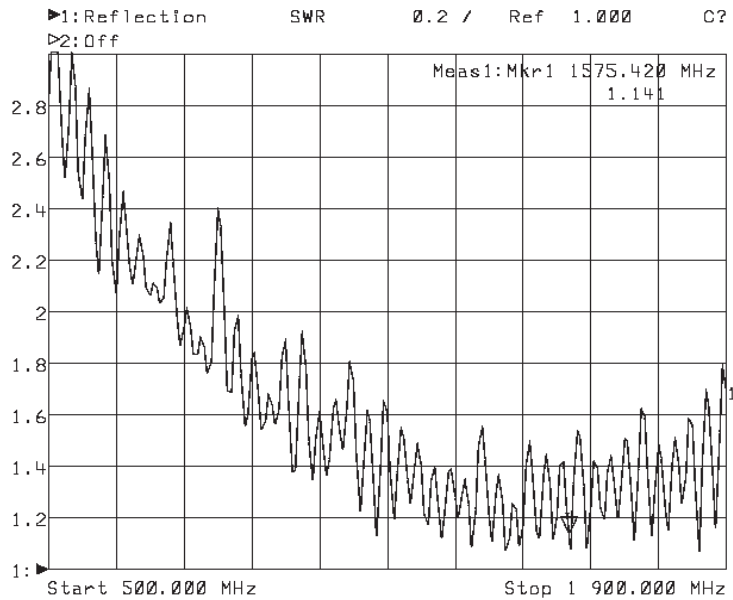
5.1	Frequency Range	824~896MHz & 1860~1960 MHz
5.2	Gain	2.5 dBi
5.3	Impedance	50
5.4	VSWR	1.5:1
2.2.1	Power handing capacity	10W



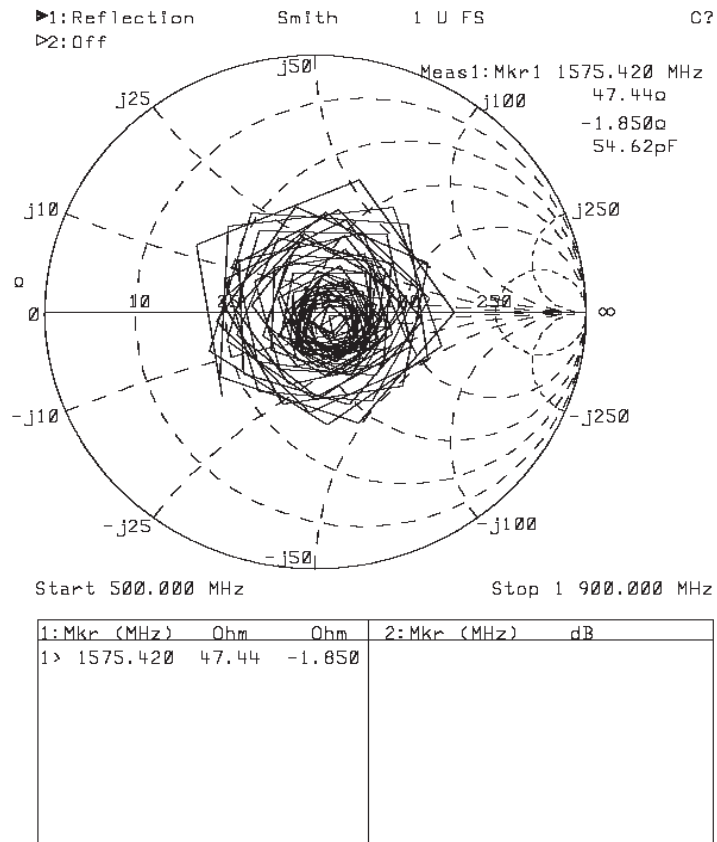
Antenna Pattern 測試圖



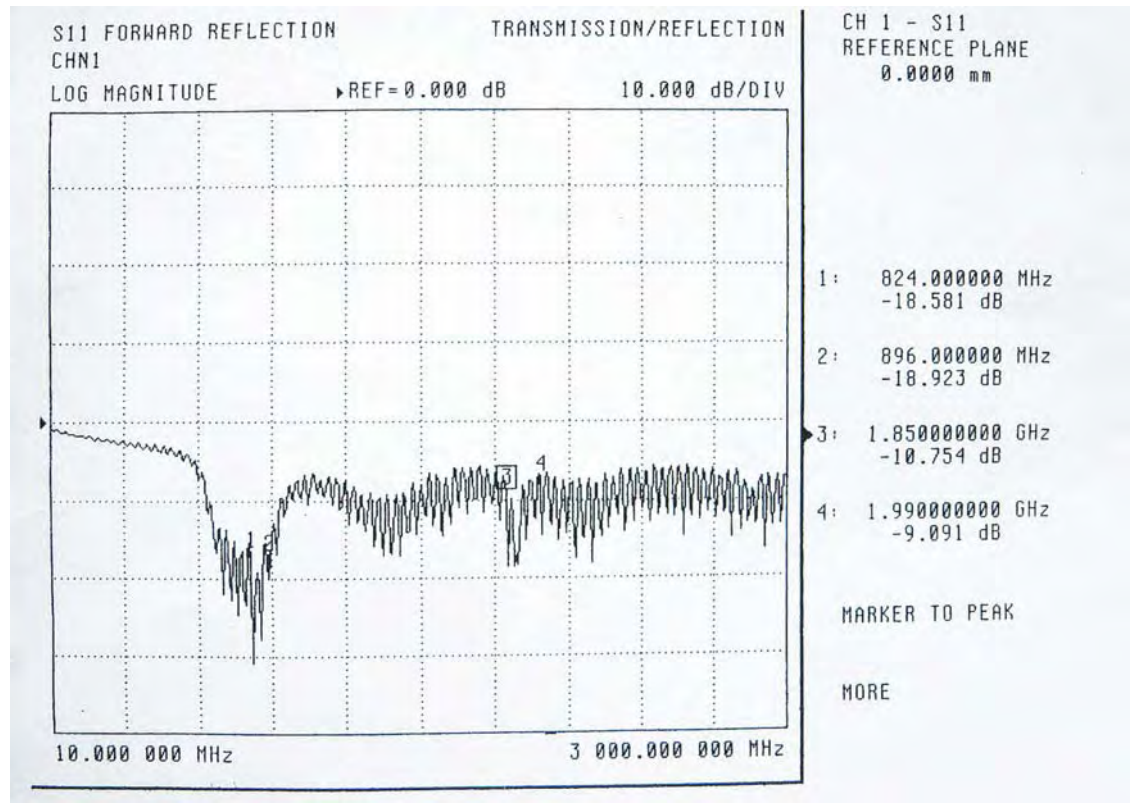
1: Mkr (MHz)	dB	2: Mkr (MHz)	dB
1> 1575.4200	-25.125		



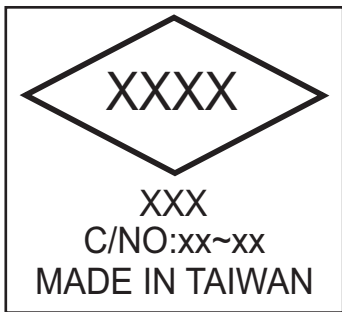
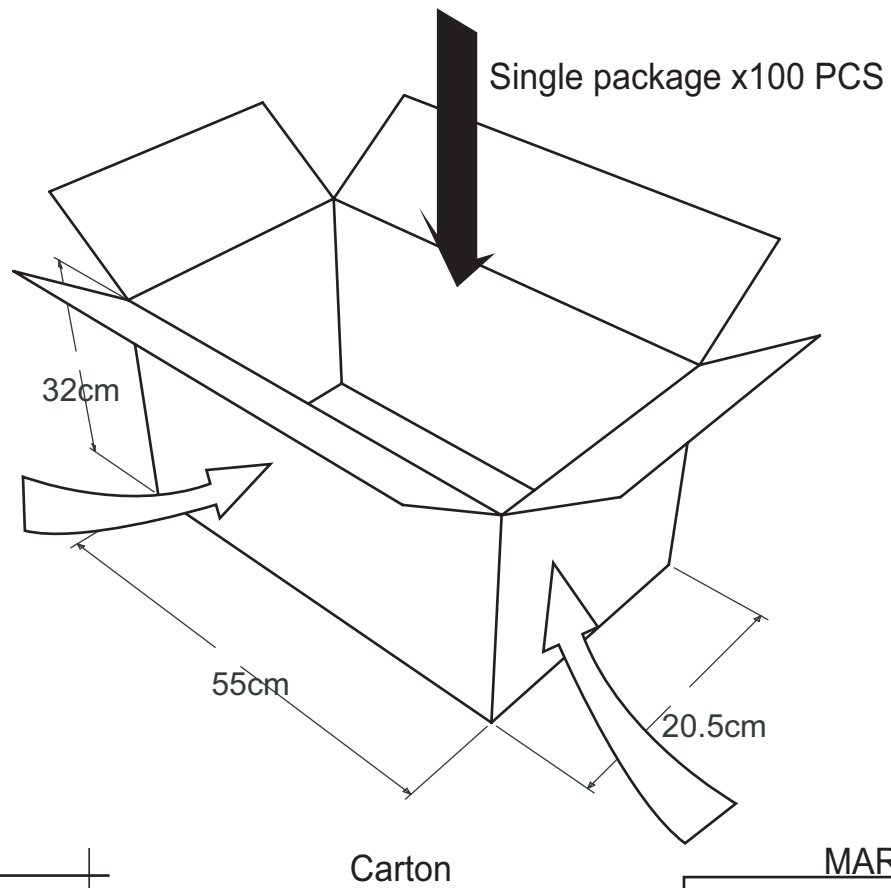
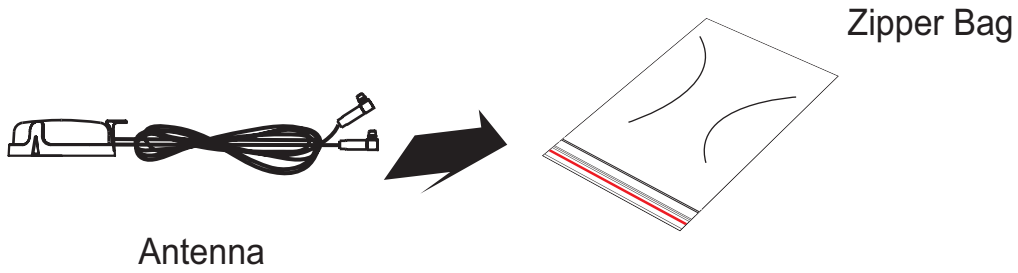
1: Mkr (MHz)	dB	2: Mkr (MHz)	dB
1> 1575.4200	1.141		



GSM Antenna



Carton Packaging Construction 外箱包裝



MARK

Item	:CPG14D
Q'ty	:100PCS
N.W.	:10.0Kg
G.W.	:10.8Kg
Meas.	:55cmx20.5cmx32cm

Quantity Master Carton	100PCS
N.W. Master Carton	10.0Kg
G.W. Master Carton	10.8Kg