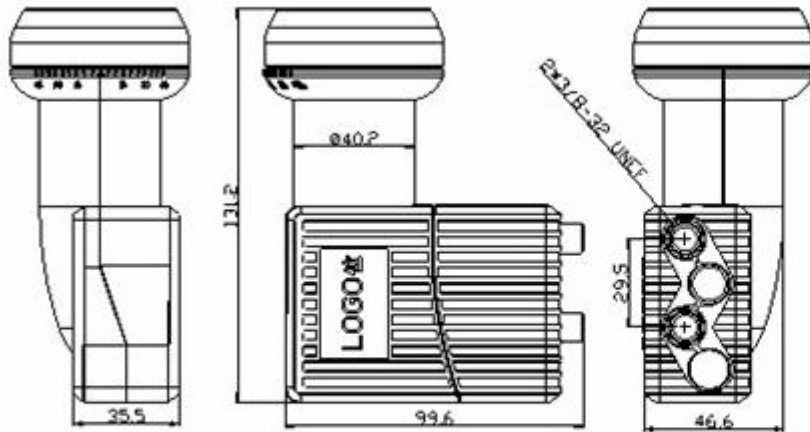


Professor Technology Co., Ltd.

Satellite TV LNB Universal Twin LNB with normal gain

CPL-NB67

for Central & South America type



CPL-NB67 Mechanical Drawing

Specification for Satellite TV Universal Twin LNB with normal gain

No.	Item	Specification				Condition
		Min.	Typ.	Max.	Unit	
1	Input Frequency	10.7		11.7	GHz	Low-Band
		11.7		12.75	GHz	High-Band
2	Output Frequency	950		1950	MHz	Low-Band
		1100		2150	MHz	High-Band
3	L.O. Frequency		9.75		GHz	Low-Band
			10.6		GHz	High-Band
4	L.O. Temperature Drift			±1	MHz	Initial Accuracy (@ 25 °C)
				±3	MHz	-40°C ~ +60°C
5	L.O. Phase Noise			-60	dBc /Hz	@1kHz Offset

				-100		@100kHz Offset
6	Noise Figure		0.6	0.7	dB	@ 25 °C
7	Conversion Gain	50	56	62	dB	@ 25 °C
8	Gain Flatness Characteristics		5		dBpp	Over Operating Band
			±0.5		dBpp	Any 27MHz
9	1dB Output Gain Compression	0			dBm	
10	L.O. Spurious			-60	dBc	
11	IF Spurious @1.7GHz			-60	dBm	
12	Image Rejection	40			dB	
13	Output VSWR		2.0:1			
14	Cross-Pol. Isolation	20			dB	
15	port-to-port isolation	20			dB	
16	Return Loss at Output		10		dB	
17	Polarization Switching Voltage	10.5		14.5	V	Vertical Polarization
		15.5		21	V	Horizontal Polarization
	Band Switching Voltage	18	22	26	kHz	Frequency
		0.4	0.6	0.8	V(pp)	Amplitude
18	Current consumption		160	200	mA	
19	Load Impedance		75		ohm	
20	Reflector Type	Offset				
21	F/D Ratio		0.6			
22	Feedhorn Mounting	40 mm (Standard Size)				
23	Operation Temperature	-40		+60	°C	
24	Storage Temperature	-50		+80	°C	
25	Output Connector	75 Ω F type				