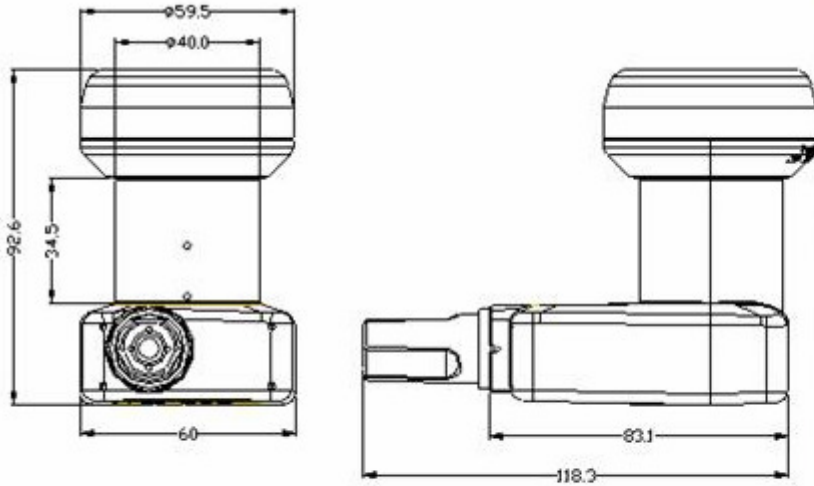


Professor Technology Co., Ltd.

Satellite TV LNB Universal Single LNB with normal gain (L-Shape)

CPL-NB21

for Central & South America type



CPL-NB21 Mechanical Drawing

Specification for Satellite TV Universal Single LNB with normal gain (L-Shape)

No.	Item	Specification				Condition
		Min.	Typ.	Max.	Unit	
1	Input Frequency	10.7		11.7	GHz	Low-Band
		11.7		12.75	GHz	High-Band
2	Output Frequency	950		1950	MHz	Low-Band
		1100		2150	MHz	High-Band
3	L.O. Frequency		9.75		GHz	Low-Band
			10.6		GHz	High-Band
4	L.O. Temperature Drift			±1	MHz	Initial Accuracy (@ 25 °C)
				±2	MHz	-40°C ~ +60°C
5	L.O. Phase Noise			-60	dBc /Hz	@1kHz Offset
				-80		@10kHz Offset
				-100		@100kHz Offset
6	Noise Figure		0.6	0.8	dB	@ 25 °C

8	Gain Flatness Characteristics		5		dBpp	Over Operating Band
			±0.5		dBpp	
9	1dB Output Gain Compression	0			dBm	
10	L.O. Spurious			-60	dBm	
11	Image Rejection	40			dB	
12	Output VSWR		2.0:1			
13	Cross-Pole Isolation	20			dB	
14	Return Loss at Output		10		dB	
15	Supply Voltage and Control signals	10		14.5	V	Vertical Polarization
		15.5		21	V	Horizontal Polarization
			22		kHz	Frequency
			0.6		V(pp)	Amplitude *2
16	Current consumption		90	110	mA	
17	Load Impedance		75		ohm	
18	Reflector Type	Offset				
19	F/D Ratio		0.6			
20	Feedhorn Mounting	40 mm (Standard Size)				
21	Operation Temperature	-40		+60	°C	
22	Storage Temperature	-50		+80	°C	
23	Output Connector	75 Ω F type				