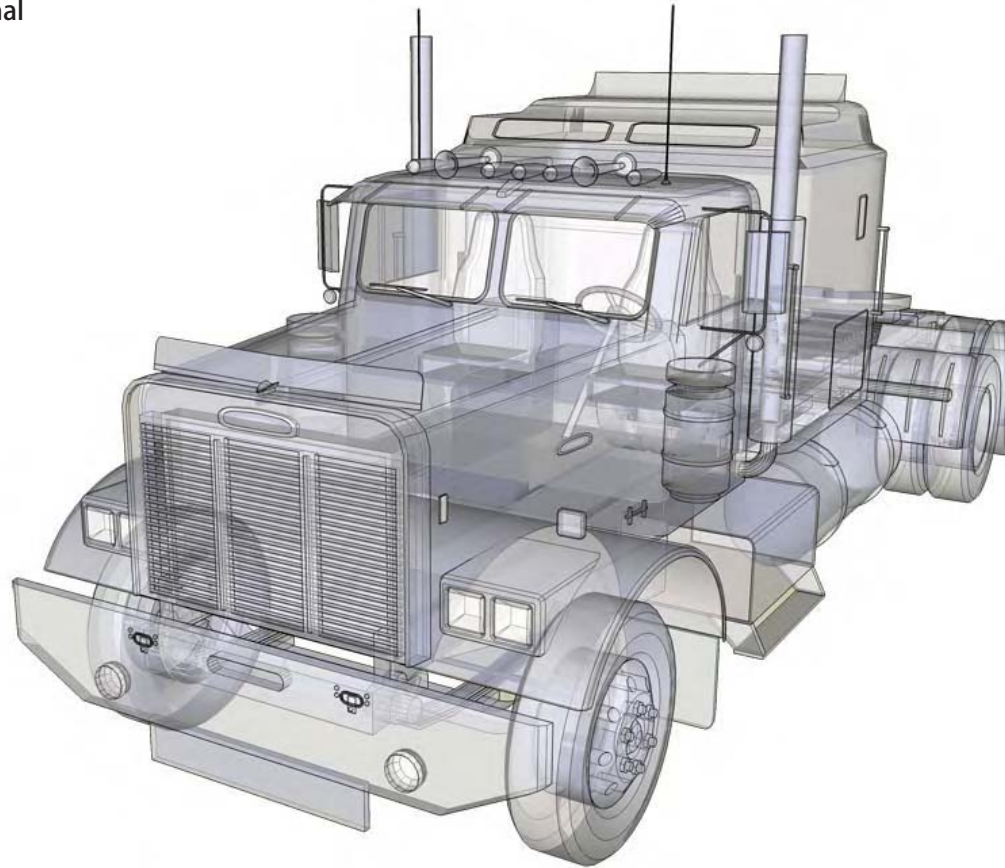


GPS TRACKING SYSTEM

GPM2000 + GPM008 +GPM- A38T

GPS Tracking System
Navigator & Message Terminal
Car Alarm

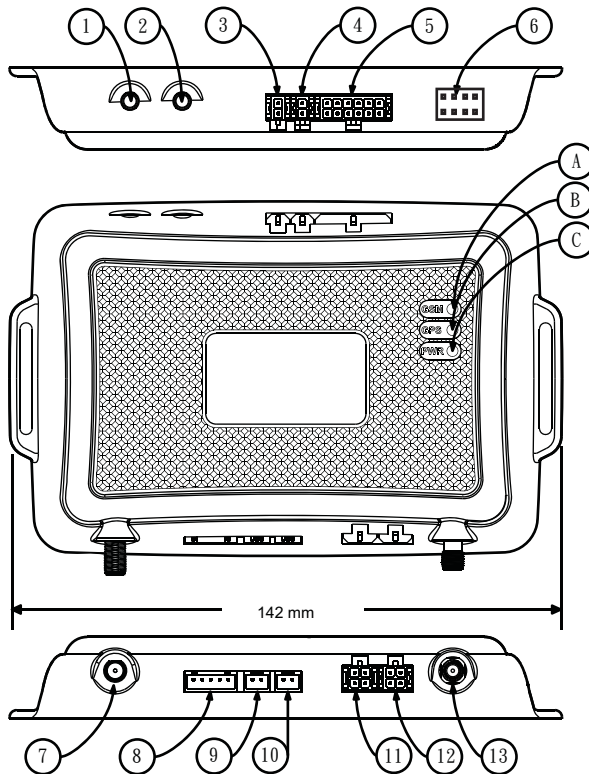


GPM2000

GPS & GPRS AVL Tracking Main Unit

Appearance

This equipment, processes GSP data, controls the information collected by an embarked devices and becomes an interface to communicate between these vehicles and the operation center.



- 1: Microphone
- 2: Speakers
- 3: Solar (power source)
- 4: Extra Battery
- 5: Input/Output
- 6: I/O Setting (jumper)
- 7: GSM Antenna(SMA)
- 8: Car Alarm
- 9: N/A (Scanner)
- 10: Panic Button
- 11: N/A (keyboard)
- 12: Navigator (GPM008)
- 13: GPS Antenna (SMA)
- A: GSM Ant. LED
- B: GPS Ant. LED
- C: POWER LED

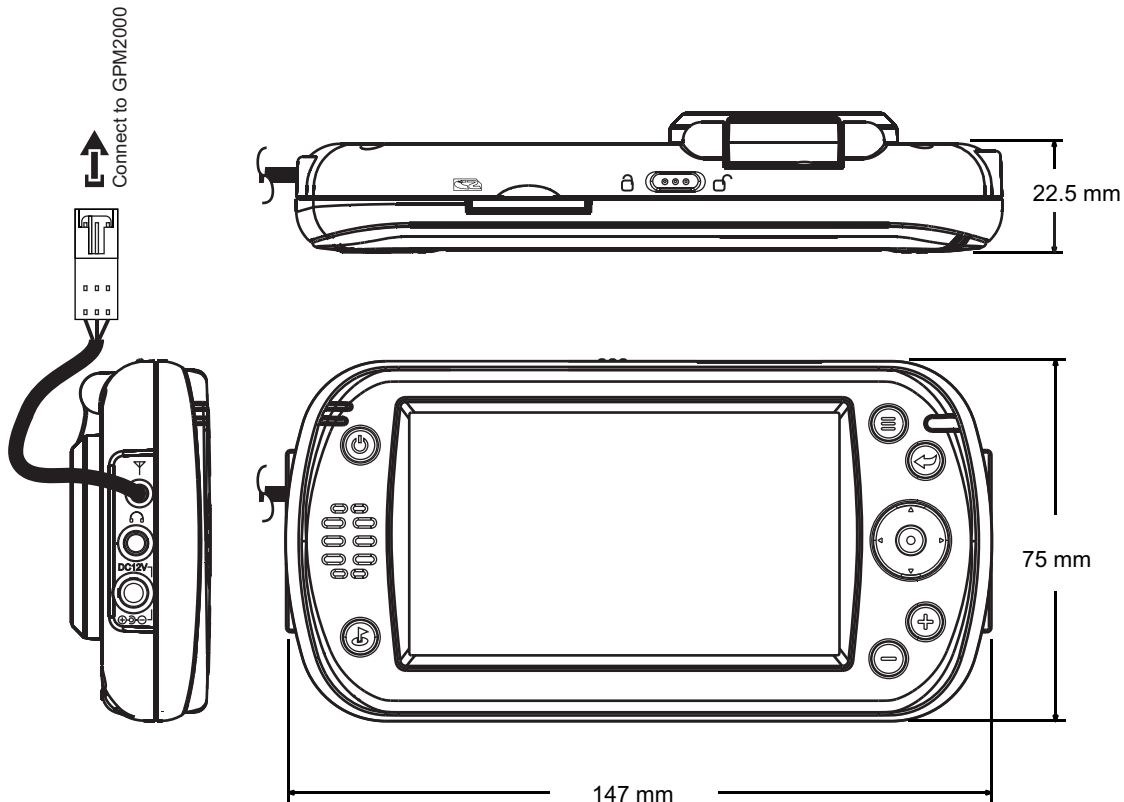
General specifications	
Volt	9V~40V
Power consumption	4.8W, 0.24W standby
Protocol	TCP/IP; UTP
GPS Format	NMEA-1083
Data Form	Car No., longitude and latitude, speed, direction, date, time, status...
SIM Card	3V/5V
Operation temperature	-30℃~80℃
Storage temperature	-40℃~85℃
GPRS	
Modem Frequency	850/900/1800/1900MHz
Output power	2W@900MHz; 1W@1800MHz
Mobile Station	Class B
GPS	
Receiving Frequency	1575.42MHZ 10MHZ 16 Channels
Position precision	2 Meter
Receiving Time	Update rate: 1/second, continuous Acquisition times: Hot 3.5sec Warm 33sec Cold 34sec
Transfer rate	9600bps
Protocol Output format	GGA, GSV, RMC, VTG, GIL, GSA.
GPS Chip	ATMEL ANTARIS4
Interface	
Digital Input	1
Digital Output	2
programmable input/output	3
SOS push button	1
Car Alarm	1
Extra Battery	1
Solar Board charging	1
Microphone	1
Speakers	1
RS-232	2

GPM008

Navigator & Message Terminal

Appearance

GPM008 is a Navigator which will guide your way to your destination but also a message terminal can shows instant message from control center. You can use it to send the quick message back to control center to report your status by just push one button.



General Specification Size	
Size	147mm *75mm *22.5mm
Operating temperature	-10 °C ~70 °C
Store temperature	-40°C ~80 °C
Operating humidity	45% to 80% RH
Store humidity range	30% to 90% RH
Atmospheric pressure	860MBar~1060Mbar
Display	TFT LCD, compounds (CVBS)
Display outputs voltage	1.0Vpp/75 Europe
Display screen	4"
Resolution	480*272
Audio	Stereo sound, CD quality
Output power	Stereo 0.25W/channel earphones, Mono 1W ,8Ω
Average power consumption	1.5W
Standby power consumption	< 20mW
DC inputs	9 ~ 28V
Battery	Build-in rechargeable lithium battery 1240mAH
Battery service time	Use for about 4 hours normally, standby for about 350 hours

Systematic Specification	
CPU	SAMSUNG S3C2440A-40 400MHZ
RAM	64MB
Memory space	128MB
Memory space for navigator software	SD card or built-in NAND FLASH
Operating system	WINCE 4.2 NET

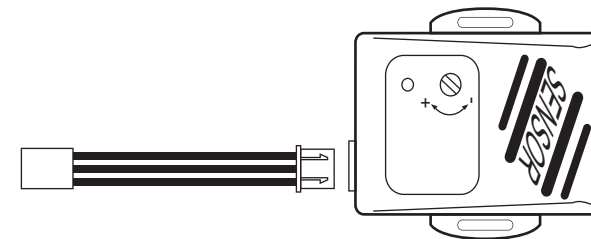
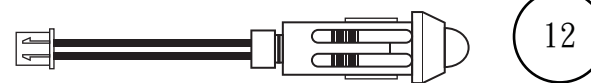
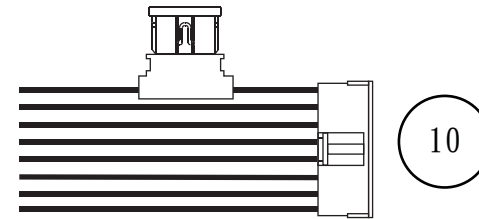
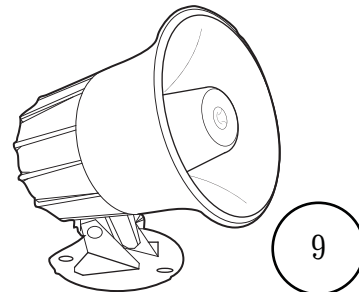
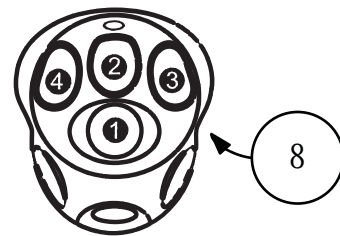
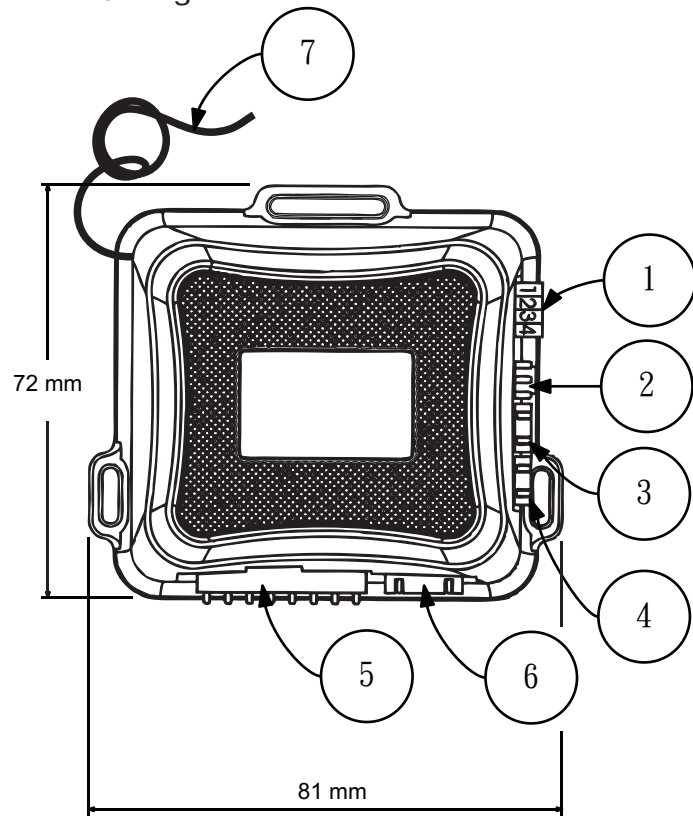
GPM-A38T

Car Alarm with Remote Control

Appearance

GPM-A38T is a Car alarm which will keep guarding your car while you are away. It can be easily arming by setting form remote control and GPM2000 from control center.

Connecting to GPM2000, the control center will know when car alarm is triggered and can call car owner for warning.



Features:

1. Remote control arming/disarming, door lock.
2. GPS Tracking System (GPM2000) arming/disarming
3. Car search, panic mode.
4. Opening door warning
5. Auto memory of opened door arm warning.
6. 2nd time automatic rearm.
7. Anti Carjacking mode.
8. Shock sensor.
9. Silent arming mode.
10. Emergency Disarming-Override
11. Passive mode
12. Valet mode

- 1: Funtion Jumper
- 2: Sensor
- 3: Power LED
- 4: Override SW.
- 5: Input/Output
- 6: GPM2000 port
- 7: Antenna
- 8: Remote Control
- 9: Siren
- 10: I/O Cord
- 11: Override Switch
- 12: Power LED
- 13: MicroWave Sensor



GPM2000+GPM800+GPM-A38T

Installation of all accessories

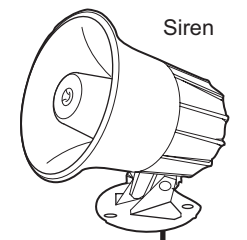
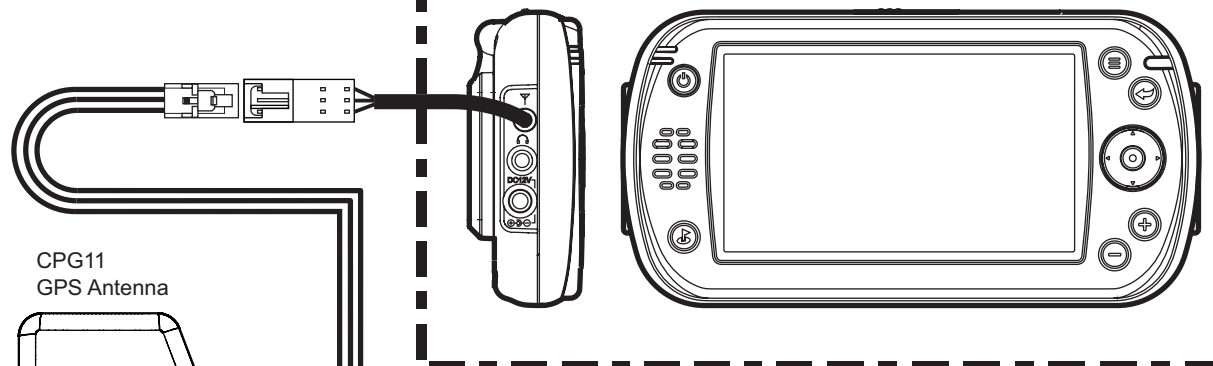
Connection

Input/Output

- 1.Red----- VIN 12V
- 2.Black---- GND
- 3.Yellow--- IGNITION
- 4.Gray---- Horn -
- 5.Green--- Blocking
- 6.Purple--- CONFIG IO1
- 7.Orange-- CONFIG IO2
- 8.Brown--- CONFIG IO3

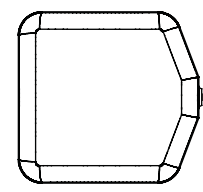
GPM008

Navigator

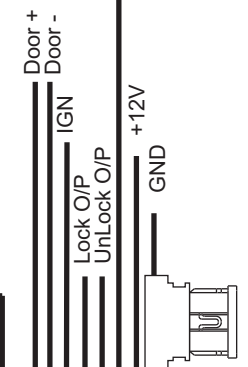


Siren

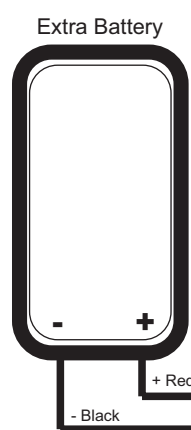
CPG11 GPS Antenna



- Yellow---- GND
- Bule---- IGN Cut O/P
- Green---- Sensor O/P
- White---- Door O/P
- Black---- ARM/ DisARM I/P



Fuse 10A



Extra Battery



Solar

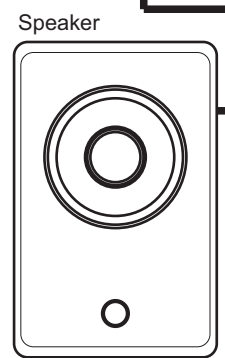
I/O Set.



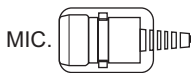
I/O



Solar



Speaker



MIC.

GPM2000

GPS & GPRS Tracking System

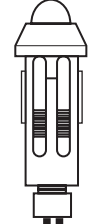
I/O SET Setting



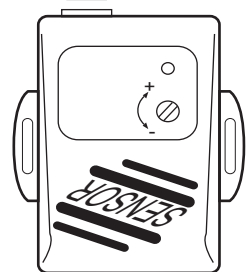
CP62 Antenna (GSM)



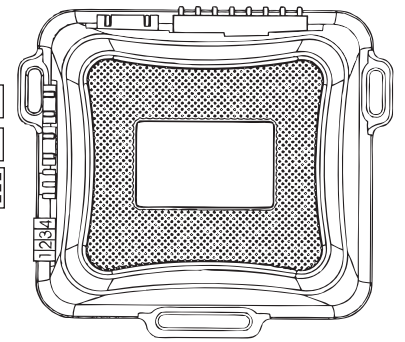
LED



OverDrive SW.



MicroWave Sensor



GPM-A38T

Car alarm