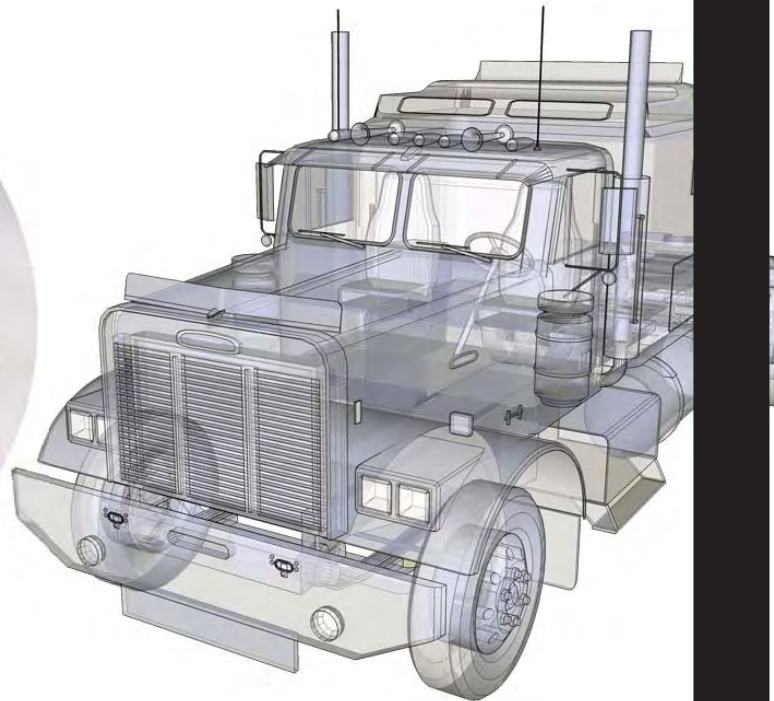


# GPS TRACKING SYSTEM

GPM2000

GPS Tracking System



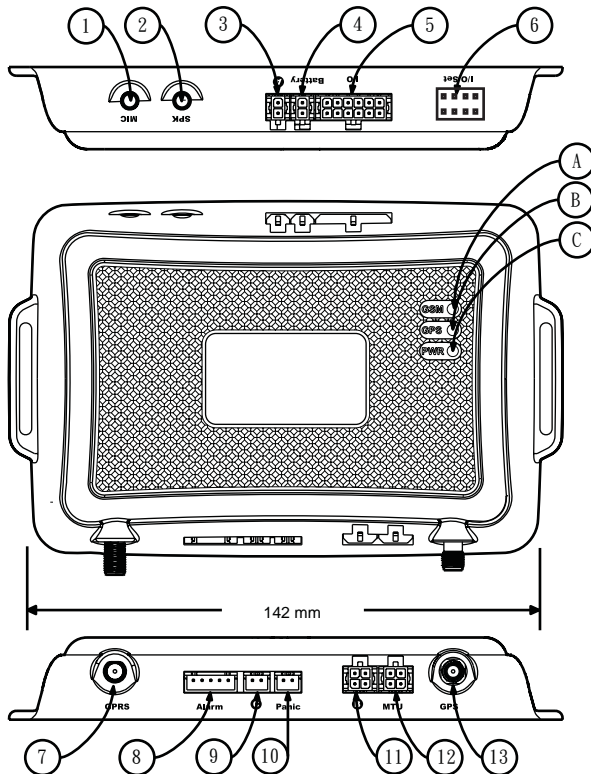
0000 000000  
000000 0 00000 000000  
00 0000

# GPM2000

GPS & GPRS AVL Tracking Main Unit

## Appearance

This equipment, processes GSP data, controls the information collected by an embarked devices and becomes an interface to communicate between these vehicles and the operation center.



- 1: Microphone
- 2: Speakers
- 3: **A** Solar (power source)
- 4: Extra Battery
- 5: Input/Output
- 6: I/O Setting (jumper)
- 7: GSM Antenna(SMA)
- 8: Car Alarm
- 9: **B** N/A (Scanner)
- 10: Panic Button
- 11: **C** N/A (phone ans. button)
- 12: Navigator (GPM008)
- 13: GPS Antenna (SMA)
- A: GSM Ant. LED
- B: GPS Ant. LED
- C: POWER LED

General specifications	
Volt	9V~40V
Power consumption	4.8W, 0.24W standby
Protocol	TCP/IP; UTP
GPS Format	NMEA-1083
Data Form	Car No., longitude and latitude, speed, direction, date, time, status...
SIM Card	3V/5V
Operation temperature	-30°C~80°C
Storage temperature	-40°C~85°C
GPRS	
Modem Frequency	850/900/1800/1900MHz
Output power	2W @900MHZ; 1W @1800MHZ
Mobile Station	Class B
GPS	
Receiving Frequency	1575.42MHZ 10MHZ 16 Channels
Position precision	2 Meter
Receiving Time	<b>Update rate:</b> 1/second, continuous <b>Acquisition times:</b> Hot 3.5sec Warm 33sec Cold 34sec
Transfer rate	9600bps
Protocol Output format	GGA, GSV, RMC, VTG, GIL, GSA.
GPS Chip	ATMEL ANTARIS4
Interface	
Digital Input	1
Digital Output	2
programmable input/output	3
SOS push button	1
Car Alarm	1
Extra Battery	1
Solar Board charging	1
Microphone	1
Speakers	1
RS-232	2

# GPM2000

Installation of all accessories

## Connection

